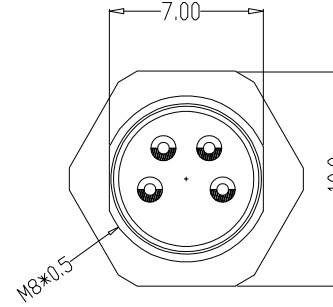
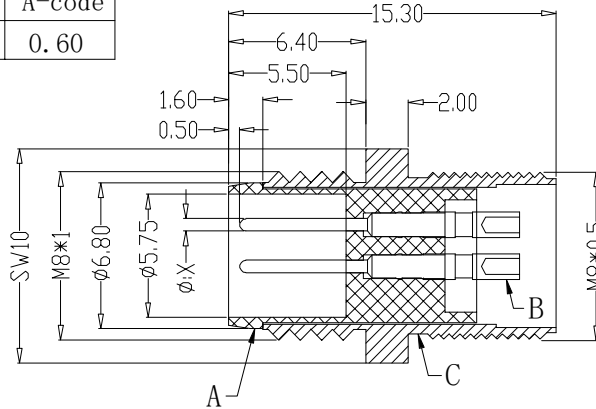
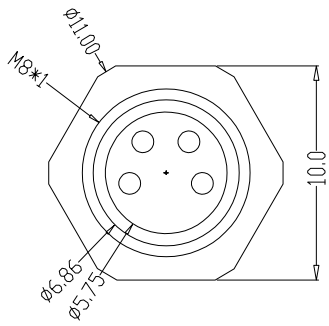


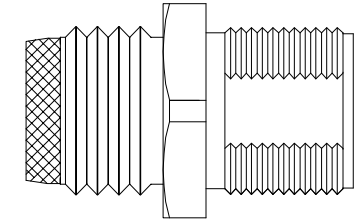
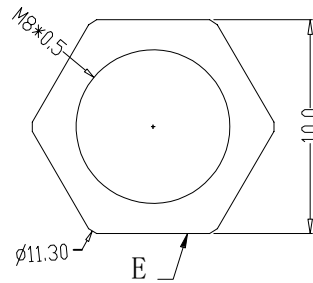
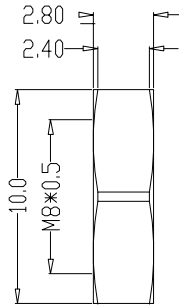
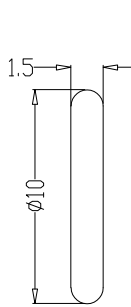
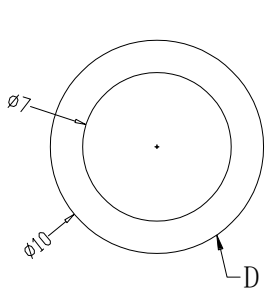
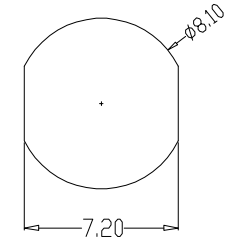
The product using material and processing must conform to the "WL-PZ-001" HSF technical standard control requirements

RoHS

	2pin	3pin	4pin	5pin	6pin	8pin
图形						
CODE	A-code	A-code	A-code	B-code	A-code	A-code
X值	1.00	1.00	1.00	1.00	0.72	0.60



Recommended Panel Cut-out



P/N	TITLE	Engagemnr firce	Rated volage	2-5pin:60v DC 6-8PIN:30V DC	A	HOUSING	PA66+GF	SPECIFY COLOR	1
M08A02-03-038	M8防水 A-CODE 2P线端公头 后锁面板式M8 SW10T-13.7L后灌胶	Disengagement force	Rated current	2-5pin:4A 6-8PIN:2A	B	CONTACT	BRASS	GOLD PLATED	2~8
M08A03-03-038	M8防水 A-CODE 3P线端公头 后锁面板式M8 SW10T-13.7L后灌胶	Mechanical lifespan	Insulation resisrance	≥1000MΩ	C	OUTER CONTACT	BRASS	NICKL PLATED	1
M08A04-03-038	M8防水 A-CODE 4P线端公头 后锁面板式M8 SW10T-13.7L后灌胶	IP rating	Conract resistangece	≤10MΩ	D	O-RING	EPDM	BLACK	1
M08A05-03-038	M8防水 B-CODE 5P线端公头 后锁面板式M8 SW10T-13.7L后灌胶	Flammability	Operation Temperature	-40° C~105° C	E	NUT	BRASS	NICKL PLATED	1
M08A06-03-038	M8防水 A-CODE 6P线端公头 后锁面板式M8 SW10T-13.7L后灌胶								
M08A08-03-038	M8防水 A-CODE 8P线端公头 后锁面板式M8 SW10T-13.7L后灌胶								

REV.	REVISION RECORD	DATE		GENERAL TOLERANCES		SCALE:	NAME	DATE	PART.NO:	DWG.NO:	 WanLian Technology Co., Ltd
A0	NEW RELEASE	21.11.17		LINEAR	ANGLES	1:1					
			UNIT:mm	0.0±0.35	X'REF±6'	APPROVED			TITLE:		REV: A0 SHEET: 1/1
			SIZE: A4	0.00±0.25	X'±3'	DESIGNER			M8防水 2~8P线端公头 后锁面板式M8 SW10T-13.7L后灌胶		
				0.000±0.10	X'X' ±2'	DRAWN					