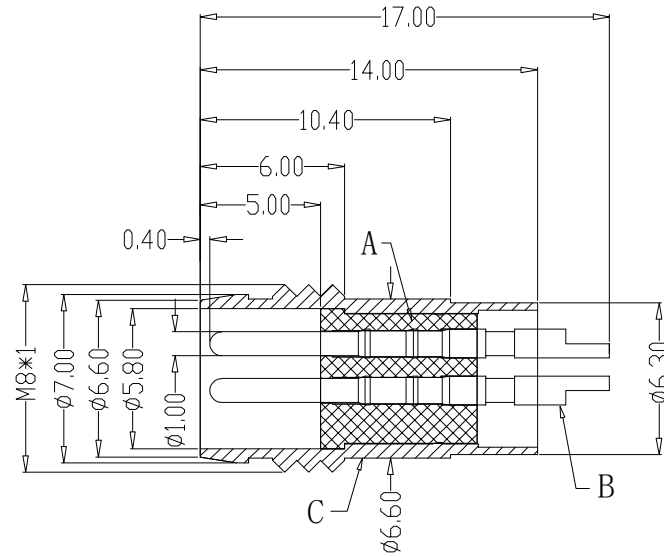
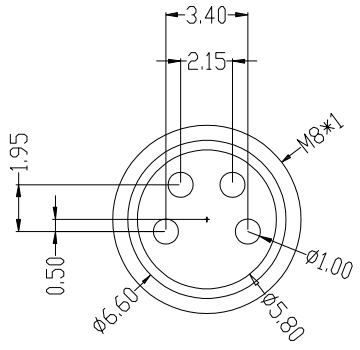
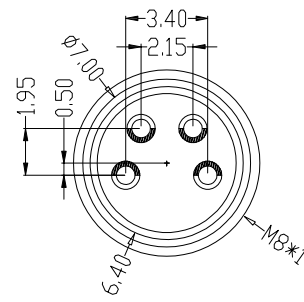
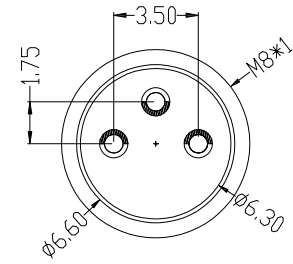
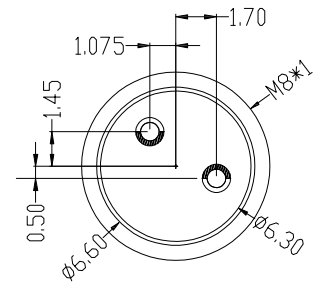
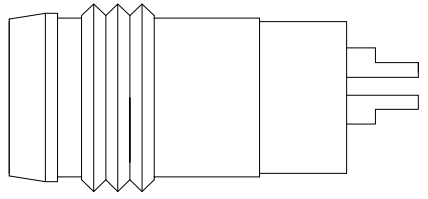


The product using material and processing must conform to the "WL-PZ-001" HSF technical standard control requirements

RoHS

	2pin	3pin	4pin
图形			
CODE	A-code	A-code	A-code



P/N	TITLE	Engagemr firce	Rated voltage	60V	PARTS	MARERIALS	TREATMENT	AMOUNT
M08A02-03-040	M8防水 A-CODE 2P 线端公头 一体式带牙五金外壳14L	Disengagement force $\leq 30N$	Rated current	4A	A	HOUSING	PA66+GF	SPECIFY COLOR 1
M08A03-03-040	M8防水 A-CODE 3P 线端公头 一体式带牙五金外壳14L	Mechanical lifespan $\geq 500$	Insulation resistance	$\geq 1000M\Omega$	B	CONTACT	BRASS	GOLD PLATED 2~4
M08A04-03-040	M8防水 A-CODE 4P 线端公头 一体式带牙五金外壳14L	IP rating	Conract resistangce	$\leq 10M\Omega$	C	CURER CONTACT	BRASS	NICKL PLATED 1
		Flammability	Operation Temperature	$-40^{\circ}C \sim 105^{\circ}C$	D			

REV.	REVISION RECORD	DATE		GENERAL TOLERANCES		SCALE: 1:1	NAME	DATE	PART.NO: M08XXX-03-040	DWG.NO: ENDE05	 WanLian Technology Co., Ltd
A0	NEW RELEASE	21.11.17		LINEAR	ANGLES						
			UNIT:mm	0.00±0.25	X'±3'	DESIGNER			TITLE: M8防水 2~4P线端公头 一体式带牙五金外壳14L		REV: A0
			SIZE: A4	0.000±0.10	X'X' ±2'	DRAWN					SHEET: 1/1