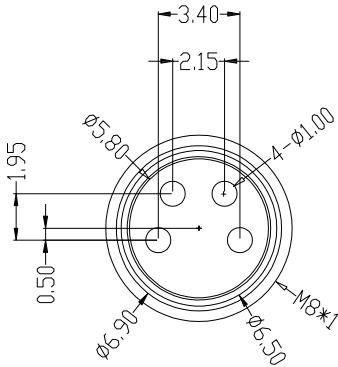
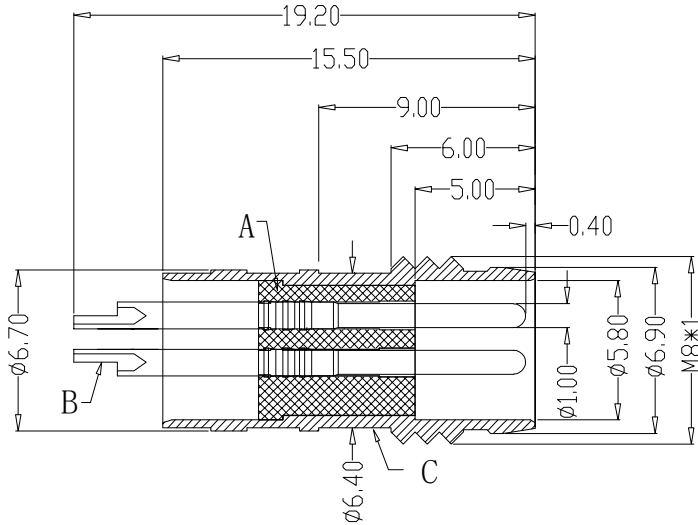
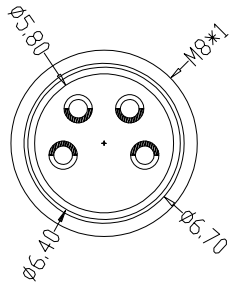
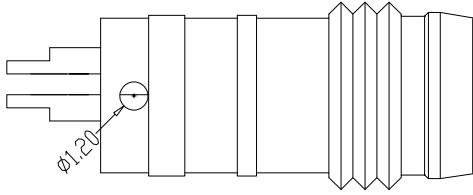


The product using material and processing must conform to the "WL-PZ-001"HSF technical standard control requirements

RoHS

	2pin	3pin	4pin
图形			
CODE	A-code	A-code	A-code



P/N	TITLE	Engagemr firce	Rated voltage	PARTS	MARERIALS	TREATMENT	AMOUNT
M08A02-03-041	M8防水 A-CODE 2P 线端公头主体 一体式带牙五金外壳15.5L	≤30N	60V	A	HOUSING	PA66+GF	1
M08A03-03-041	M8防水 A-CODE 3P 线端公头主体 一体式带牙五金外壳15.5L	≥5N	4A	B	CONTACT	BRASS	2~4
M08A04-03-041	M8防水 A-CODE 4P 线端公头主体 一体式带牙五金外壳15.5L	≥500	Insulation resistrance	C	CURER CONTRACT	BRASS	1
		IP rating	IP67/IP68	D		NICKL PLATED	
		Flammability	UL94 V-0				
		Rated current	4A				
		Conract resistangce	≤10MΩ				
		Operation Temperature	-40° C~105° C				

REV.	REVISION RECORD	DATE	GENERAL TOLERANCES	SCALE:	NAME	DATE	PART.NO:	DWG.NO:	
A0	NEW RELEASE	21.11.17	LINEAR	1:1			M08XXX-03-041	ENDE05	
			ANGLES	APPROVED					
			0.0±0.35	DESIGNER			TITLE:		
			UNIT:mm	DRAWN			M8防水 2~4P线端公头主体 一体式带牙五金外壳15.5L		REV: A0
			0.00±0.25						SHEET: 1/1
			0.000±0.10						