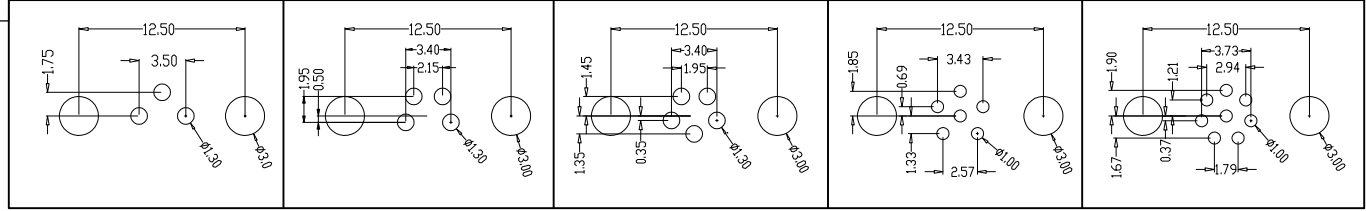


The product using material and processing must conform to the "WL-PZ-001" HSF technical standard control requirements

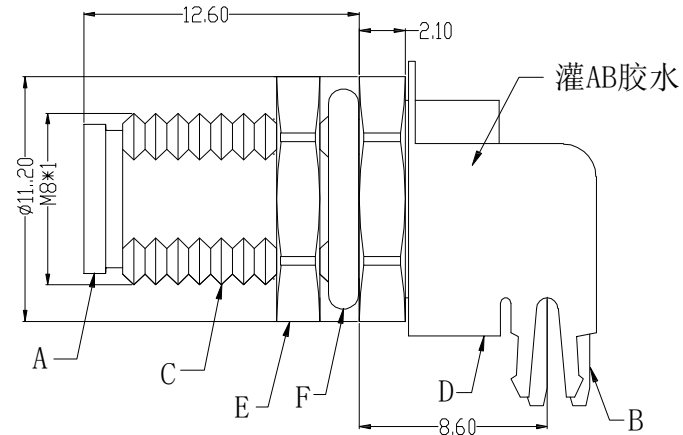
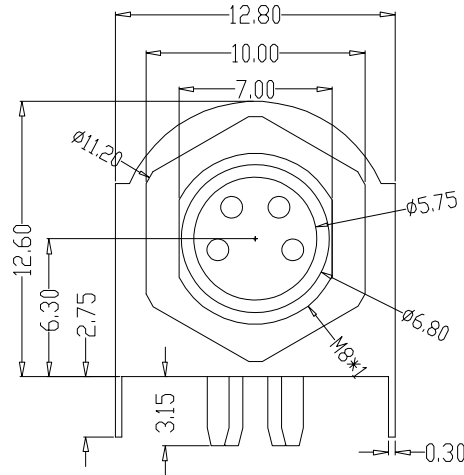
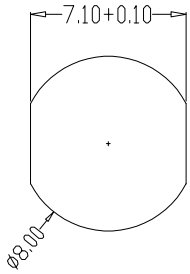
### PCB Layout Reference



图形					
CODE	A-code	A-code	B-code	A-code	A-code
PCB端PIN针直径	1.0mm	1.0mm	1.0mm	0.60mm	0.60mm
接触端PIN针直径	1.0mm	1.0mm	1.0mm	0.75mm	0.60mm

RoHS

面板开孔尺寸



Engagement force	≤50N	Rated voltage	3-5pin:60v DC 6-8PIN:30V DC	项目	零件	处理	数量
Disengagement force	≥5N	Rated current	3-5pin:4A 6-8PIN:2A	A	绝缘体	PA66胶料	注塑要求颜色 1
Mechanical lifespan	≥500	Insulation resistance	≥1000MΩ	B	PIN针	磷铜	镀金 3-8
IP rating	IP67	Contract resistance	≤20MΩ	C	五金外壳	H59黄铜	镀镍 1
Flammability	UL94 V-0	Operation Temperature	-25° C~85° C	D	屏蔽罩	H65黄铜	镀镍 1
simple and clear	1.5~3.5KG	Cycle Life	2000 times	E	薄螺母	H59黄铜	镀镍 1
				F	防水圈	硅胶	红色/黑色 1

P/N	TITLE
M08A03-03-042	M8防水 A-CODE 3P公头 板端弯头
M08A04-03-042	M8防水 A-CODE 4P公头 板端弯头
M08B05-03-042	M8防水 B-CODE 5P公头 板端弯头
M08A06-03-042	M8防水 A-CODE 6P公头 板端弯头
M08A08-03-042	M8防水 A-CODE 8P公头 板端弯头

REV.	REVISION RECORD	DATE	GENERAL TOLERANCES	SCALE: 1:1	NAME	DATE	PART.NO:	DWG.NO:
A0	NEW RELEASE	21.11.17	LINEAR	APPROVED			M08XXX-03-042	ENDE05
			ANGLES	DESIGNER			TITLE:	
			0.0±0.35	DRAWN			M8防水 3~8P公头 板端弯头	
			X'REF±6'					
			UNIT:mm					
			0.00±0.25					
			X'±3'					
			SIZE: A4					
			0.000±0.10					
			X'X' ±2'					

WanLian Technology Co., Ltd

REV: A0 SHEET: 1/1