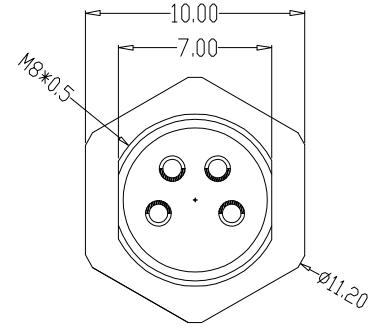
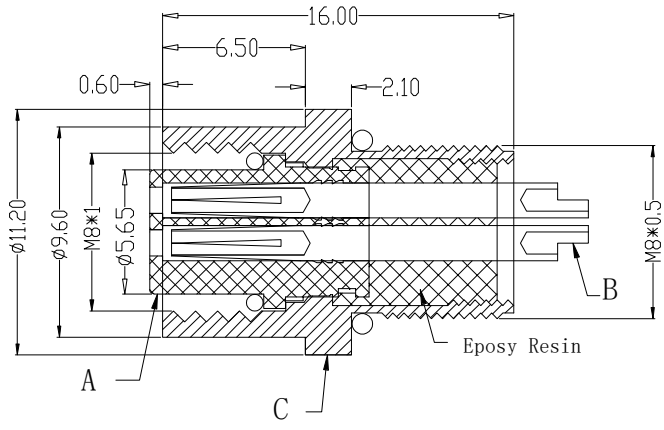
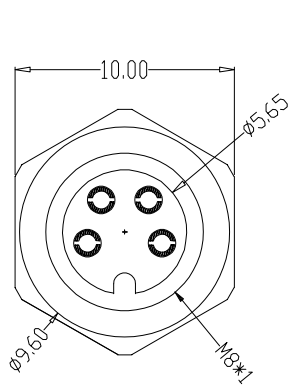


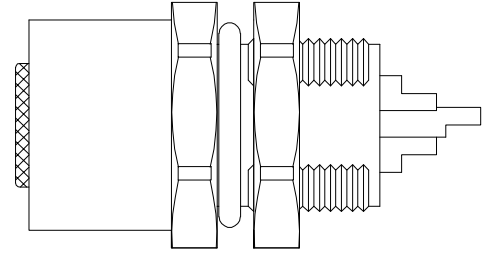
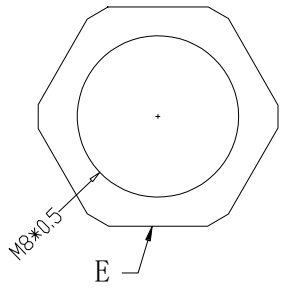
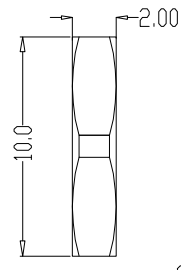
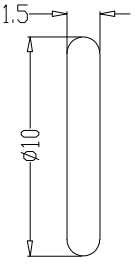
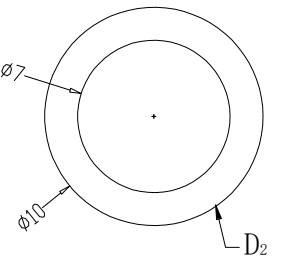
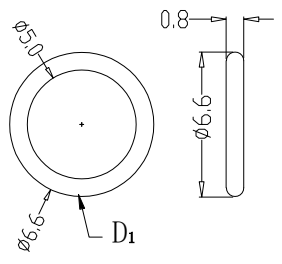
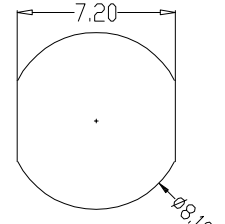
The product using material and processing must conform to the "WL-PZ-001"HSF technical standard control requirements



	2pin	3pin	4pin	5pin	6pin	8pin
图形						
CODE	A-code	A-code	A-code	B-code	A-code	A-code



Recommended Panel Cut-out



组合图

P/N	TITLE
M08A02-04-026	M8防水 A-CODE 2P线端母座 后锁面板式M8 SW10T-16L
M08A03-04-026	M8防水 A-CODE 3P线端母座 后锁面板式M8 SW10T-16L
M08A04-04-026	M8防水 A-CODE 4P线端母座 后锁面板式M8 SW10T-16L
M08B05-04-026	M8防水 B-CODE 5P线端母座 后锁面板式M8 SW10T-16L
M08A06-04-026	M8防水 A-CODE 6P线端母座 后锁面板式M8 SW10T-16L
M08A08-04-026	M8防水 A-CODE 8P线端母座 后锁面板式M8 SW10T-16L

Engagemnt firce	≤50N	Rated volage	2-5pin:60v DC 6-8PIN:30V DC
Disengagement force	≥5N	Rated current	2-5pin:4A 6-8PIN:2A
Mechanical lifespan	≥500	Insulation resirance	≥1000MΩ
IP rating	IP67/IP68	Conract resistangce	≤10MΩ
Flammability	UL94 V-0	Operation Temperature	-40° C~105° C

PARTS	MARERIALS	TREATMENT	AMOUNT
A HOUSING	PA66+GF	SPECIFY COLOR	1
B CONTACT	BRASS	GOLD PLATED	2~8
C OUTER CONTACT	BRASS	NICKL PLATED	1
D O-RING	EPDM	BLACK	2
E NUT	BRASS	NICKL PLATED	1

REV.	REVISION RECORD	DATE		GENERAL TOLERANCES		SCALE: 1:1	NAME	DATE	PART.NO: M08XXX-04-026	DWG.NO: ENDE05	 WanLian Technology Co., Ltd
A0	NEW RELEASE	21.11.17		LINEAR	ANGLES						
			UNIT:mm	0.0±0.35	X'REF±6°	DESIGNER					REV: A0
			SIZE: A4	0.00±0.25	X'±3'	DRAWN					SHEET: 1/1
				0.000±0.10	X'X' ±2'						