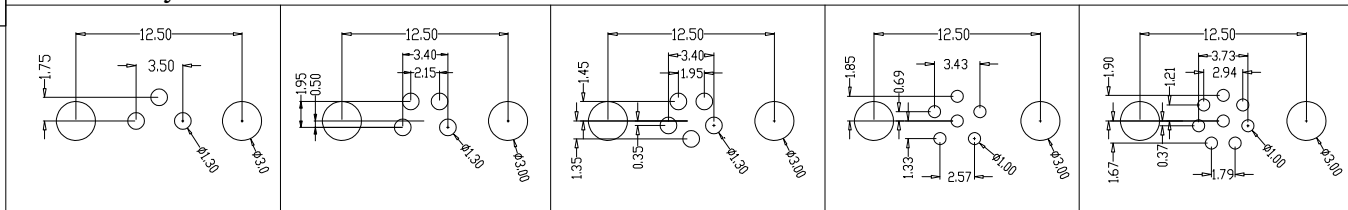


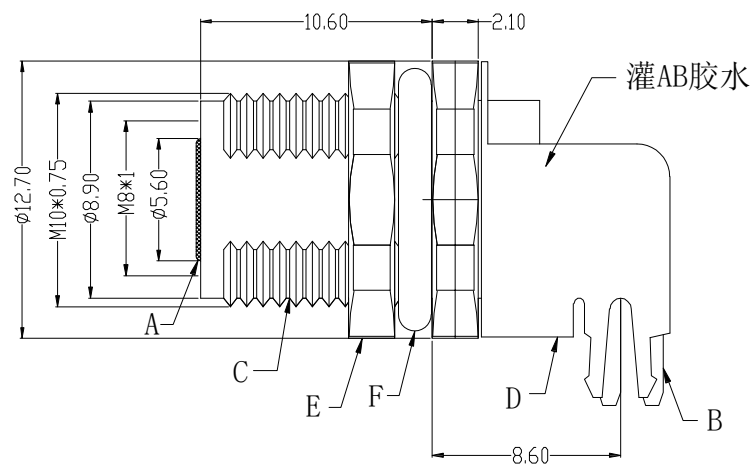
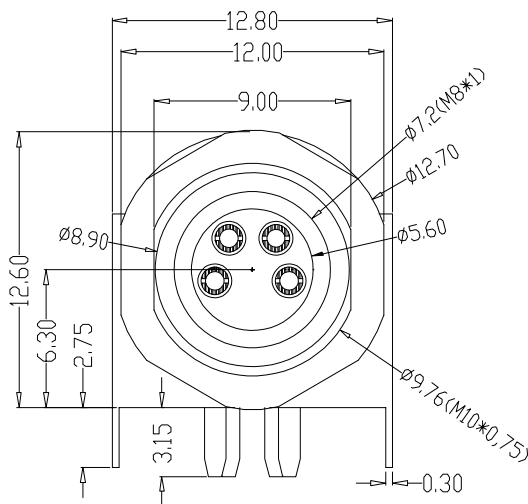
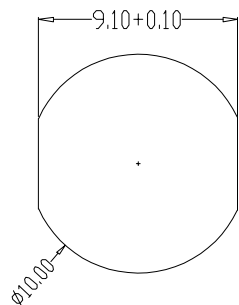
The product using material and processing must conform to the "WL-PZ-001" HSF technical standard control requirements

### PCB Layout Reference



RoHS

面板开孔尺寸



Engagement force	≤ 50N	Rated voltage	3-5pin: 60V DC 6-8PIN: 30V DC	项目	零件	零件材质	处理	数量
Disengagement force	≥ 5N	Rated current	3-5pin: 4A 6-8PIN: 2A	A	绝缘体	PA66胶料	注塑要求颜色	1
Mechanical lifespan	≥ 500	Insulation resistance	≥ 1000MΩ	B	PIN针	磷铜	镀金	3-8
IP rating	IP67	Contact resistance	≤ 20MΩ	C	五金外壳	H59黄铜	镀镍	1
Flammability	UL94 V-0	Operation Temperature	-25° C ~ 85° C	D	屏蔽罩	H65黄铜	镀镍	1
simple and clear	1.5~3.5KG	Cycle Life	2000 times	E	薄螺母	H59黄铜	镀镍	1
				F	防水圈	硅胶	红色/黑色	1

P/N	TITLE
M08A03-04-030	M8防水 A-CODE 3P母座 板端弯头
M08A04-04-030	M8防水 A-CODE 4P母座 板端弯头
M08B05-04-030	M8防水 B-CODE 5P母座 板端弯头
M08A06-04-030	M8防水 A-CODE 6P母座 板端弯头
M08A08-04-030	M8防水 A-CODE 8P母座 板端弯头

REV.	REVISION RECORD	DATE		GENERAL TOLERANCES		SCALE:	NAME	DATE	PART.NO:	DWG.NO:	 WanLian Technology Co., Ltd
A0	NEW RELEASE	21.11.17		LINEAR	ANGLES	1:1					
			0.0±0.35	X°REF±6'	APPROVED				M08XXX-04-030	ENDE05	
			UNIT:mm	0.00±0.25	X°±3'	DESIGNER			TITLE:		
			SIZE: A4	0.000±0.10	X°X' ±2'	DRAWN			M8防水 3~8P母座 板端弯头		REV: A0 SHEET: 1/1