

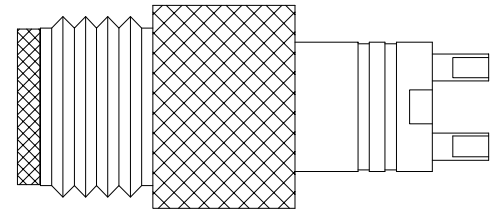
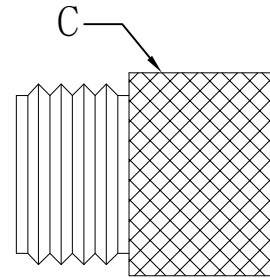
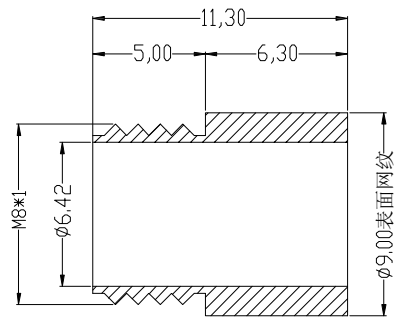
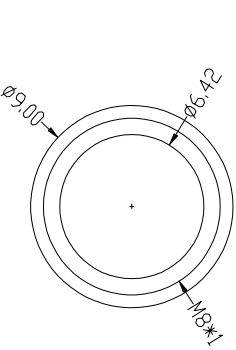
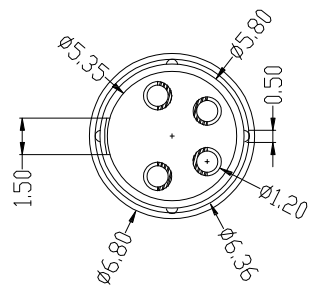
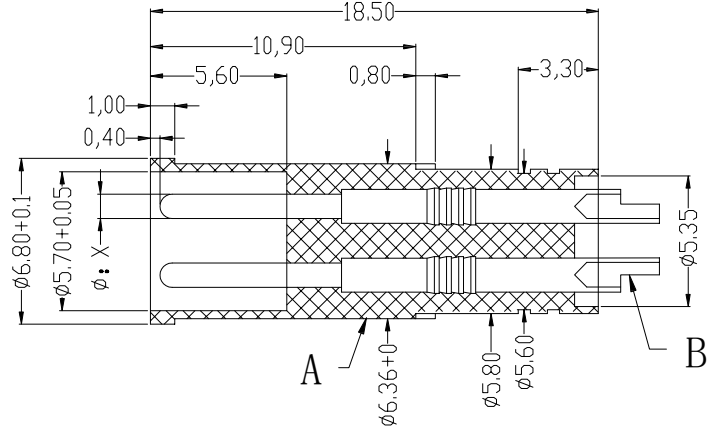
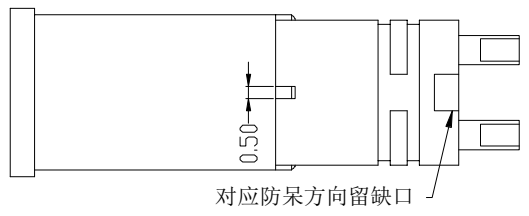
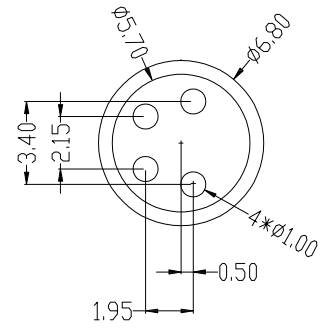
The product using material and processing must conform to the "WL-PZ-001"HSF technical standard control requirements

| | | | | | | |
|------|--------|--------|--------|--------|--------|--------|
| | 2pin | 3pin | 4pin | 5pin | 6pin | 8pin |
| 图形 | | | | | | |
| CODE | A-code | A-code | A-code | B-code | A-code | A-code |
| x值 | 1.00 | 1.00 | 1.00 | 1.00 | 0.72 | 0.60 |



A
B
C
D
E
F
G
H

A
B
C
D
E
F
G
H



组合图

| P/N | TITLE | Engagemnr firce | ≤40N | Rated voltage | 2-5pin:60v DC 6-8PIN:30V DC | PARTS | MARERIALS | TREATMENT | AMOUNT | |
|---------------|----------------------------------|---------------------|-----------|------------------------|--------------------------------|-------|-----------|-----------|---------------|-----|
| M08A02-07-008 | M8防水 A-CODE 2P线端公头C款+9*11.3L网纹螺丝 | Disengagement force | ≥5N | Rated current | 2-5pin:4A 6-8PIN:2A | A | HOUSING | PA66+GF | SPECIFY COLOR | 1 |
| M08A03-07-008 | M8防水 A-CODE 3P线端公头C款+9*11.3L网纹螺丝 | Mechanical lifespan | ≥500 | Insulation resistrance | ≥1000MΩ | B | CONTACT | BRASS | GOLD PLATED | 2~8 |
| M08A04-07-008 | M8防水 A-CODE 4P线端公头C款+9*11.3L网纹螺丝 | IP rating | IP67/IP68 | Conract resistangce | ≤10MΩ | C | NUT | BRASS | NICKL PLATED | 1 |
| M08B05-07-008 | M8防水 B-CODE 5P线端公头C款+9*11.3L网纹螺丝 | Flammability | UL94 V-0 | Operation Temperature | -40° C~105° C | | | | | |
| M08A06-07-008 | M8防水 A-CODE 6P线端公头C款+9*11.3L网纹螺丝 | | | | | | | | | |
| M08A08-07-008 | M8防水 A-CODE 8P线端公头C款+9*11.3L网纹螺丝 | | | | | | | | | |

| | | | | | | | | | | | |
|------|-----------------|----------|--|--------------------|----------|----------|------|------|-----------------------------|---------|---------------------------------|
| REV. | REVISION RECORD | DATE | | GENERAL TOLERANCES | | SCALE: | NAME | DATE | PART.NO: | DWG.NO: | WanLian Technology Co., Ltd |
| A0 | NEW RELEASE | 21.11.17 | | LINEAR | ANGLES | 1:1 | | | | | |
| | | | | 0.0±0.35 | X'REF±6° | APPROVED | | | M08XXX-07-008 | ENDE05 | |
| | | | | 0.00±0.25 | X'±3' | DESIGNER | | | TITLE: | | |
| | | | | 0.000±0.10 | X'X' ±2' | DRAWN | | | M8防水 2~8P线端公头C款+9*11.3L网纹螺丝 | | |
| | | | | | | | | | | REV: A0 | SHEET: 1/1 |