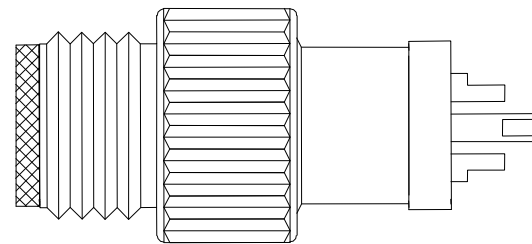


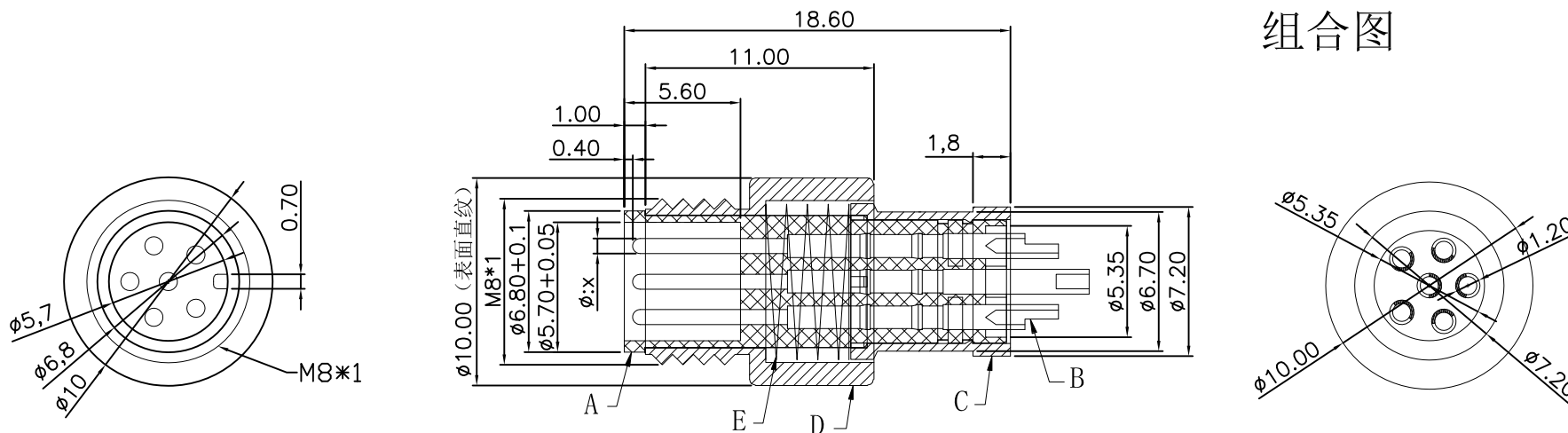
The product using material and processing must conform to the "WL-PZ-001"HSF technical standard control requirements

RoHS

	2pin	3pin	4pin	5pin	6pin	8pin
图形						
CODE	A-code	A-code	A-code	B-code	A-code	A-code
X值	1.00	1.00	1.00	1.00	0.72	0.60



组合图



P/N	TITLE	Engagemenr firce	Disengagement force	Mechanical lifespan	IP rating	Flammability	Rated voltage	Rated current	Insulation resistance	Conract resistangece	Operation Temperature	PARTS	MARERIALS	TREATMENT	AMOUNT	
M08A02-07-010	M8防水 A-CODE 2P 线端公头 屏蔽款+11L弹簧直纹螺丝	≤40N	≥5N	≥500	IP67/IP68	UL94 V-0	2-5pin:60v DC 6-8PIN:30V DC	2-5pin:4A 6-8PIN:2A	≥1000MΩ	≤10MΩ	-40° C~105° C	A	HOUSING	PA66+GF	SPECIFY COLOR	1
M08A03-07-010	M8防水 A-CODE 3P 线端公头 屏蔽款+11L弹簧直纹螺丝											B	CONTACT	BRASS	GOLD PLATED	2~8
M08A04-07-010	M8防水 A-CODE 4P 线端公头 屏蔽款+11L弹簧直纹螺丝											C	SHIELD	BRASS	NICKL PLATED	1
M08B05-07-010	M8防水 B-CODE 5P 线端公头 屏蔽款+11L弹簧直纹螺丝											D	NUT	BRASS	NICKL PLATED	1
M08A06-07-010	M8防水 A-CODE 6P 线端公头 屏蔽款+11L弹簧直纹螺丝											E	SPRING	SS	NICKL PLATED	1
M08A08-07-010	M8防水 A-CODE 8P 线端公头 屏蔽款+11L弹簧直纹螺丝															

REV.	REVISION RECORD	DATE	GENERAL TOLERANCES		SCALE:	NAME	DATE	PART.NO:	DWG.NO:	 WanLian Technology Co., Ltd	
AO	NEW RELEASE		LINEAR	ANGLES	1:1			M08XXX-07-010	ENDE05		
			0.0±0.35	X°REF±6'	APPROVED						
			0.00±0.25	X°±3'	DESIGNER			TITLE:			
			SIZE: A4	0.000±0.10	X°X' ±2'	DRAWN		M8防水 2~8P线端公头 屏蔽款+11L弹簧直纹螺丝		REV: A0	SHEET: 1/1