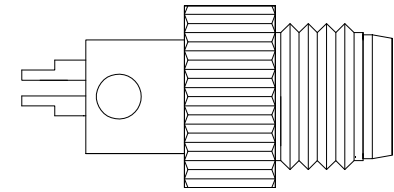
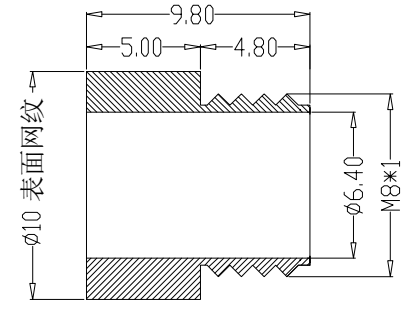
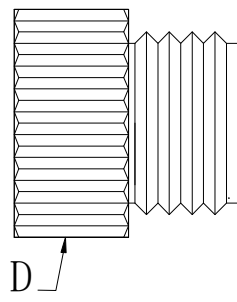
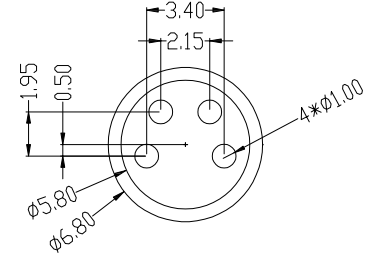
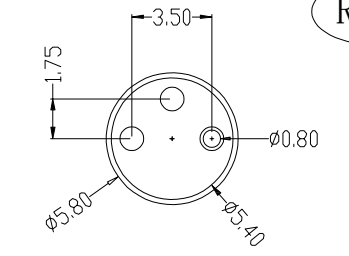
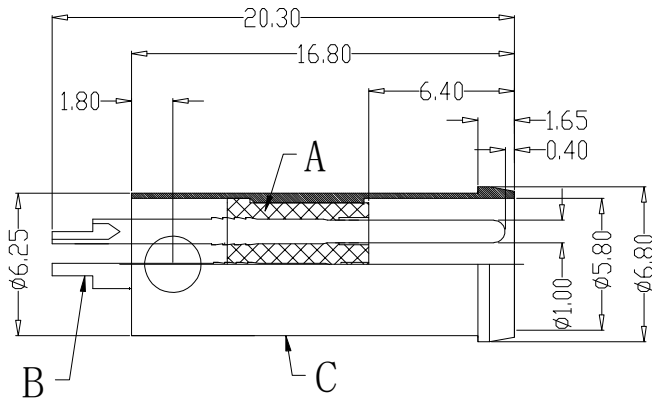
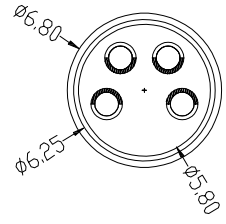


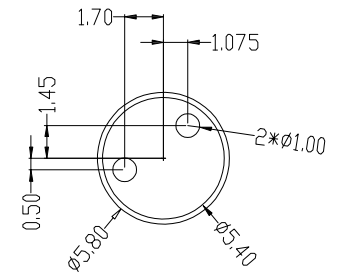
The product using material and processing must conform to the "WL-PZ-001" HSF technical standard control requirements

RoHS

	2pin	3pin	4pin
图形			
CODE	A-code	A-code	A-code



组合图



P/N	TITLE	Engagemnr firce	Rated voltage	60V	PARTS	MARERIALS	TREATMENT	AMOUNT
M08A02-07-011	M8防水 A-CODE 2P 线端公头 全屏蔽款+9.8L直纹螺丝	≤30N	Rated voltage	60V	A	HOUSING	PA66+GF	SPECIFY COLOR
M08A03-07-011	M8防水 A-CODE 3P 线端公头 全屏蔽款+9.8L直纹螺丝	≥5N	Rated current	4A	B	CONTACT	BRASS	GOLD PLATED
M08A04-07-011	M8防水 A-CODE 4P 线端公头 全屏蔽款+9.8L直纹螺丝	≥500	Insulation resistance	≥1000MΩ	C	SHIELD	BRASS	NICKL PLATED
		IP rating	IP67/IP68	Conract resistangce	D	NUT	BRASS	NICKL PLATED
		Flammability	UL94 V-0	Operation Temperature				

REV.	REVISION RECORD	DATE	GENERAL TOLERANCES	SCALE: 1:1	NAME	DATE	PART.NO:	DWG.NO:	
A0	NEW RELEASE	21.11.17	LINEAR	APPROVED			M08XXX-07-011	ENDE05	
			ANGLES	DESIGNER			TITLE:		
			0.0±0.35 X'REF±6'	DRAWN			M8防水 2~4P线端公头 全屏蔽款+9.8L直纹螺丝	REV: A0 SHEET: 1/1	