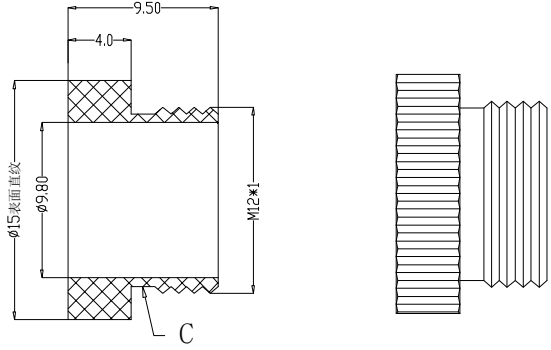
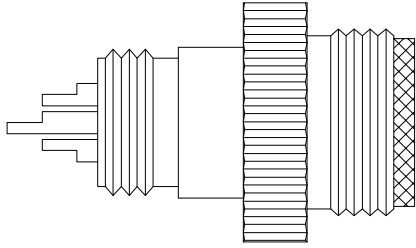
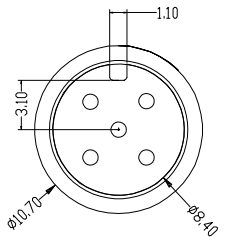
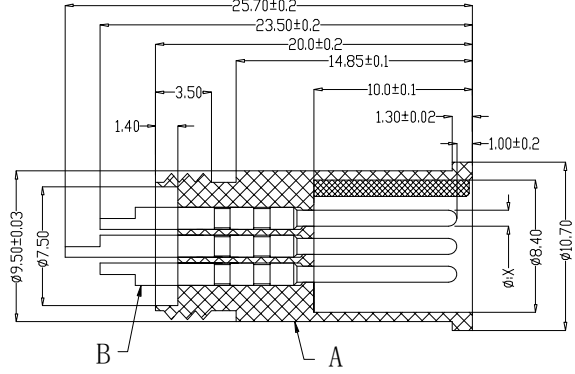
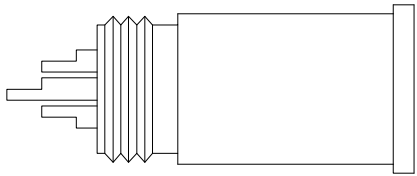
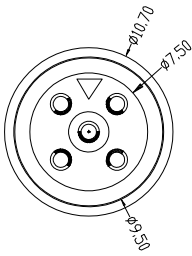


The product using material and processing must conform to the "WL-PZ-001" HSF technical standard control requirements

RoHS

| | | | | | | | | | | | | | | | | | | |
|----|------|------|-------------|------|------|-------------|-------------|------|------|----------------|--------------|------------------|--------------|--------------|--------------|-------------|------|------|
| 图形 | | | | | | | | | | | | | | | | | | |
| 规格 | 2PIN | 2PIN | 2PIN 4改2 | 3PIN | 3PIN | 3PIN 4改3 | 4PIN 2+2 | 4PIN | 5PIN | 5PIN 正方形2+3 | 5PIN 180° | 5PIN 260° 2+3 | 5PIN 360° | 6PIN 360° | 6PIN 258° | 6PIN 8改6 | 7PIN | 8PIN |
| X值 | 1.20 | 1.50 | 1.00 | 1.20 | 1.50 | 1.00 | 1.20+1.00 | 1.00 | 1.00 | 1.50+1.00 | 0.80 | 1.50+1.00 | 1.00 | 1.00 | 0.80 | 0.80 | 0.80 | 0.80 |



组合图

| | | | | | | | |
|---------------------|-----------|-----------------------|--------------------------|-------|-----------|-----------|--------------------|
| Engagemer firce | ≤50N | Rated volage | 2-5pin:60v 6-8pin:30v | PARTS | MARERIALS | TREATMENT | AMOUNT |
| Disengagement force | ≥5N | Rated current | 2-5pin:4A 6-8pin:2A | A | HOUSING | PA66+GF | SPECIFY COLOR 1 |
| Mechanical lifespan | ≥500 | Insulation resirance | ≥1000MΩ | B | CONTACT | BRASS | GOLD PLATED 5 |
| IP rating | IP67/IP68 | Conract resistangce | ≤10MΩ | C | NUT | ALALLOY | BLACK/SILVER 1 |
| Flammability | UL94 V-0 | Operation Temperature | -40° C~105° C | D | | | |
| | | | | E | | | |

| P/N | TITLE |
|---------------|--|
| M12A05-07-085 | M12防水 A-CODE 5P线端公头 B款9.5L铝螺丝 正方形2+3 1.5+1.0 |

| | | | | | | | | | | | |
|------|-----------------|------|----------|--------------------|----------|---------------|------|------|---------------------------|-------------------|---------------------------------|
| REV. | REVISION RECORD | DATE | | GENERAL TOLERANCES | | SCALE: 1:1 | NAME | DATE | PART.NO: M12A05-07-085 | DWG.NO: ENDE05 | WanLian Technology Co., Ltd |
| A0 | NEW RELEASE | | | LINEAR | ANGLES | | | | | | |
| | | | UNIT:mm | 0.00±0.25 | X'±3' | DESIGNER | | | | | |
| | | | SIZE: A4 | 0.000±0.10 | X'X' ±2' | DRAWN | | | | | |