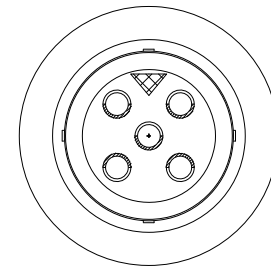
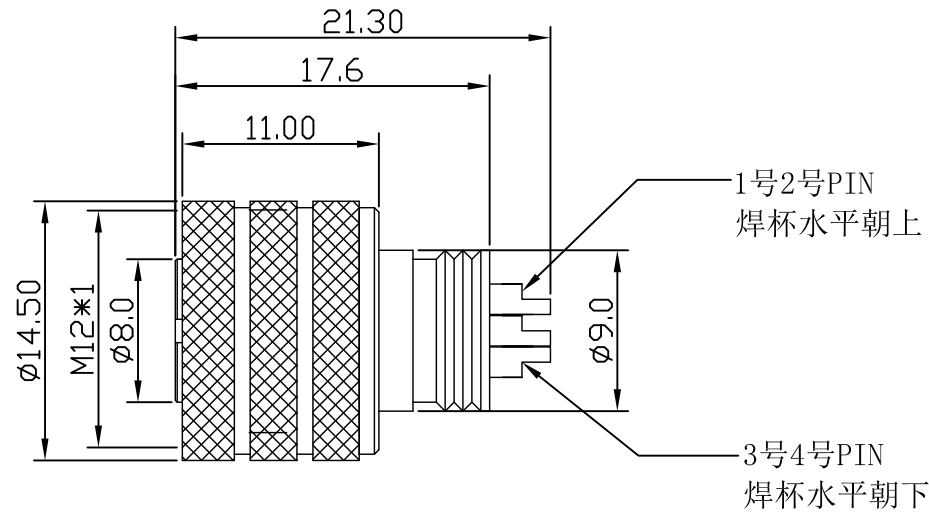
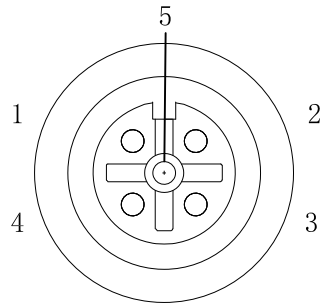


The product using material and processing must conform to the "WL-PZ-001"HSF technical standard control requirements



技术特性

1. 寿命: >100 mate/unmate cycles
2. 接触电阻: ≤10mΩ
3. 绝缘电阻: ≥1000MΩ
4. 额定电压: 60V
5. 额定电流: 4A
6. 温度等级: -40℃~+105℃
7. 防水等级: IP67

材料规格

D	密封圈	EPDM	黑色	Pcs	1
C	外壳	黄铜	镀镍	Pcs	1
B	接触体材质	铜合金	镀金2u	Pcs	5
A	绝缘体材质	PA尼龙	黑色	Pcs	1
No.	Specification	Material	Treat	Unit	Q'ty

REV.	REVISION RECORD	DATE		GENERAL TOLERANCES		SCALE: 1:1	NAME	DATE	PART.NO:	DWG.NO:	
A0	NEW RELEASE	23.10.18		LINEAR	ANGLES	APPROVED	YXM	23.08.16	M12A05-08-022	ENDE05	
			UNIT:mm	0.00±0.25	X'±3'	DESIGNER	WFL	23.08.16	TITLE:		REV: A1      SHEET: 1/1
			SIZE: A4	0.000±0.10	X'X' ±2'	DRAWN	WFL	23.08.16	M12-5A母头 车针镀金2迈 +三网纹螺母		