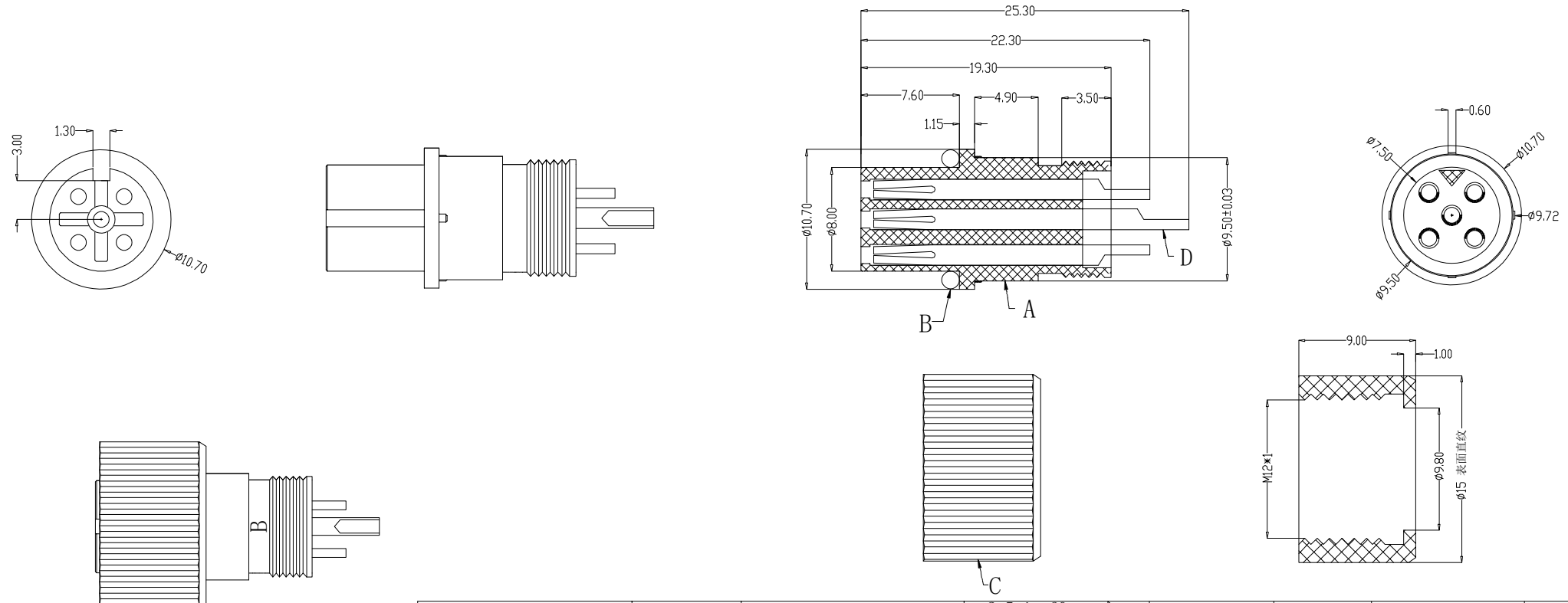


The product using material and processing must conform to the "WL-PZ-001"HSF technical standard control requirements

RoHS

图形																		
规格	2PIN	2PIN	2PIN 4改2	3PIN	3PIN	3PIN 4改3	4PIN 2+2	4PIN	5PIN	5PIN 正方形2+3	5PIN 180°	5PIN 260° 2+3	5PIN 360°	6PIN 360°	6PIN 258°	6PIN 8改6	7PIN	8PIN
X值	1.20	1.50	1.00	1.20	1.50	1.00	1.20+1.00	1.00	1.00	1.50+1.00	0.80	1.50+1.00	1.00	1.00	0.80	0.80	0.80	0.80



组合图

Engagemnr firce	$\leq 50N$	Rated volage	2-5pin:60v 6-8pin:30v	PARTS	MARERIALS	TREATMENT	AMOUNT
Disengagement force	$\geq 5N$	Rated current	2-5pin:4A 6-8pin:2A	A	HOUSING	PA66+GF	SPECIFY COLOR
Mechanical lifespan	≥ 500	Insulation resirance	$\geq 1000M\Omega$	B	CONTACT	BRASS	GOLD PLATED
IP rating	IP67/IP68	Conract resistangce	$\leq 10M\Omega$	C	NUT	ALALLOY	BLACK/SILVER
Flammability	UL94 V-0	Operation Temperature	$-40^{\circ}C \sim 105^{\circ}C$	D	O-RING	EPDM	BLACK
				E			

P/N	TITLE
M12A05-08-122	M12防水 A-CODE 5P线端母头 B款9.0L塑胶螺母

REV.	REVISION RECORD	DATE	GENERAL TOLERANCES		SCALE:	NAME	DATE	PART.NO:	DWG.NO:	 WanLian Technology Co., Ltd
A0	NEW RELEASE		LINEAR	ANGLES	1:1			M12A05-08-122	ENDE05	
			0.0±0.35	X'REF±6'	APPROVED					
			0.00±0.25	X'±3'	DESIGNER			TITLE:		
			UNIT:mm	0.000±0.10	X'X' ±2'	DRAWN		M12防水 A-CODE 5P线端母头 B款9L塑胶螺母		REV: A0
			SIZE: A4							SHEET: 1/1