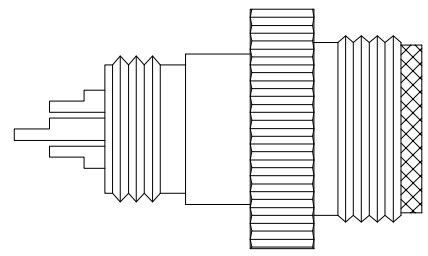
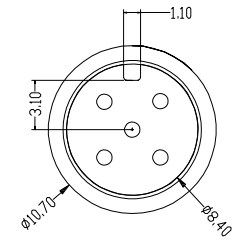
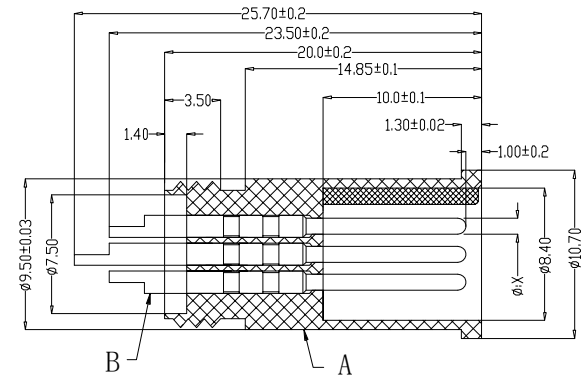
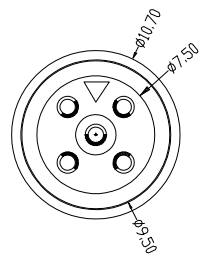


The product using material and processing must conform to the "WL-PZ-001" HSF technical standard control requirements

RoHS

| | | | | | | | | | | | | | | | | | | |
|----|------|------|-------------|------|------|-------------|-------------|------|------|----------------|--------------|------------------|--------------|--------------|--------------|-------------|------|------|
| 图形 | | | | | | | | | | | | | | | | | | |
| 规格 | 2PIN | 2PIN | 2PIN 4改2 | 3PIN | 3PIN | 3PIN 4改3 | 4PIN 2+2 | 4PIN | 5PIN | 5PIN 正方形2+3 | 5PIN 180° | 5PIN 260° 2+3 | 5PIN 360° | 6PIN 360° | 6PIN 258° | 6PIN 8改6 | 7PIN | 8PIN |
| X值 | 1.20 | 1.50 | 1.00 | 1.20 | 1.50 | 1.00 | 1.20+1.00 | 1.00 | 1.00 | 1.50+1.00 | 0.80 | 1.50+1.00 | 1.00 | 1.00 | 0.80 | 0.80 | 0.80 | 0.80 |



组合图

| | | | | | | | |
|---------------------|------------|-----------------------|----------------------------------|-------|-----------|-----------|--------------------|
| Engagemnr firce | $\leq 50N$ | Rated volage | 2-5pin:60v 6-8pin:30v | PARTS | MARERIALS | TREATMENT | AMOUNT |
| Disengagement force | $\geq 5N$ | Rated current | 2-5pin:4A 6-8pin:2A | A | HOUSING | PA66+GF | SPECIFY COLOR 1 |
| Mechanical lifespan | ≥ 500 | Insulation resirance | $\geq 1000M\Omega$ | B | CONTACT | BRASS | GOLD PLATED 6 |
| IP rating | IP67/IP68 | Conract resistangce | $\leq 10M\Omega$ | C | NUT | ALALLOY | BLACK/SILVER 1 |
| Flammability | UL94 V-0 | Operation Temperature | $-40^{\circ}C \sim 105^{\circ}C$ | D | | | |
| | | | | E | | | |

| | | | | | | | | | | | |
|------|-----------------|------|--------------------|------------------|----------|------|------|---|---------|---------------------------------|------------|
| REV. | REVISION RECORD | DATE | GENERAL TOLERANCES | | SCALE: | NAME | DATE | PART.NO: | DWG.NO: | WanLian Technology Co., Ltd | |
| AO | NEW RELEASE | | LINEAR | ANGLES | 1:1 | | | M12A06-07-107 | ENDE05 | | |
| | | | 0.0 ± 0.35 | $X' REF \pm 6'$ | APPROVED | | | | | | |
| | | | UNIT:mm | 0.00 ± 0.25 | DESIGNER | | | TITLE: | | | |
| | | | SIZE: A4 | 0.000 ± 0.10 | DRAWN | | | M12防水 A-CODE 6P线端公头 B款9.5L塑胶螺丝 258度 0.8*6 | | REV: AO | SHEET: 1/1 |