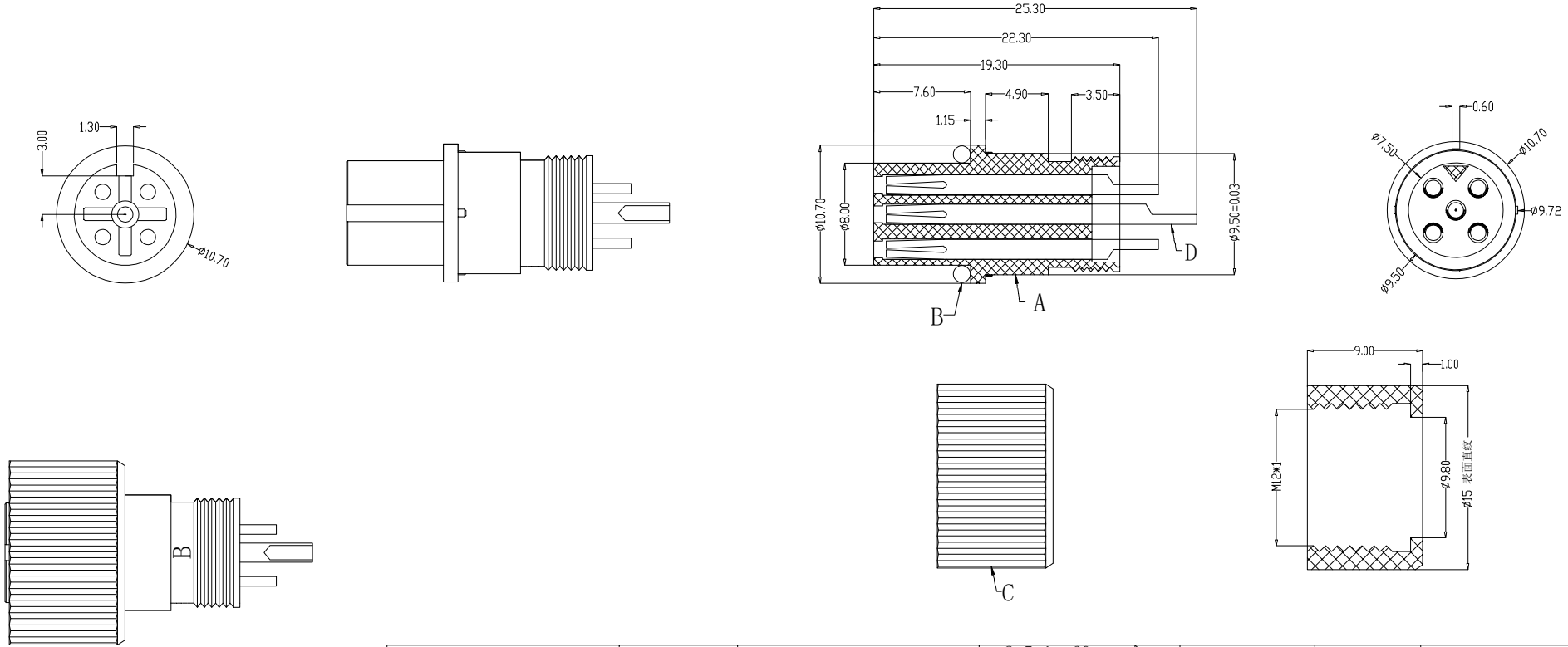


The product using material and processing must conform to the "WL-PZ-001" HSF technical standard control requirements

RoHS

图形																		
规格	2PIN	2PIN	2PIN 4改2	3PIN	3PIN	3PIN 4改3	4PIN 2+2	4PIN	5PIN	5PIN 正方形2+3	5PIN 180°	5PIN 260° 2+3	5PIN 360°	6PIN 360°	6PIN 258°	6PIN 8改6	7PIN	8PIN
X值	1.20	1.50	1.00	1.20	1.50	1.00	1.20+1.00	1.00	1.00	1.50+1.00	0.80	1.50+1.00	1.00	1.00	0.80	0.80	0.80	0.80



组合图

Engagemnr firce	$\leq 50N$	Rated volage	2-5pin:60v 6-8pin:30v	PARTS	MARERIALS	TREATMENT	AMOUNT	
Disengagement force	$\geq 5N$	Rated current	2-5pin:4A 6-8pin:2A					
Mechanical lifespan	$\geq 500$	Insulation resirance	$\geq 1000M\Omega$	B	CONTACT	BRASS	GOLD PLATED	6
IP rating	IP67/IP68	Conract resistangce	$\leq 10M\Omega$	C	NUT	ALALLOY	BLACK/SILVER	1
Flammability	UL94 V-0	Operation Temperature	$-40^{\circ} C \sim 105^{\circ} C$	D	O-RING	EPDM	BLACK	1

P/N	TITLE
M12A06-08-099	M12防水 A-CODE 6P线端母头 B款9.0L塑胶螺母 258度 0.8*6

REV.	REVISION RECORD	DATE		GENERAL TOLERANCES		SCALE: 1:1	NAME	DATE	PART.NO: M12A06-08-099	DWG.NO: ENDE05	 WanLian Technology Co., Ltd
A0	NEW RELEASE			LINEAR	ANGLES						
			UNIT:mm	$0.00 \pm 0.25$	$X' \pm 3'$	DESIGNER			TITLE: M12防水 A-CODE 6P线端母头 B款9.0L塑胶螺母258度 0.8*6		REV: A0 SHEET: 1/1
			SIZE: A4	$0.000 \pm 0.10$	$X'X' \pm 2'$	DRAWN					