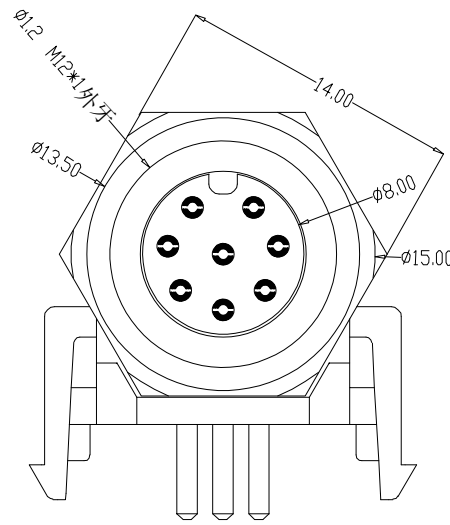
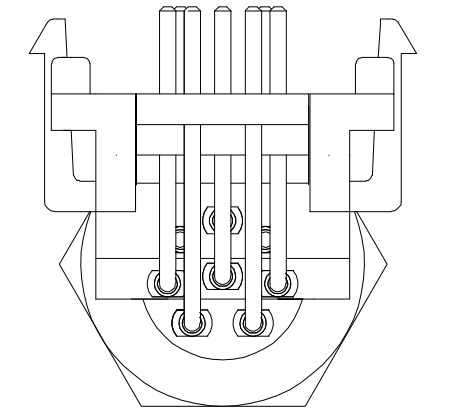
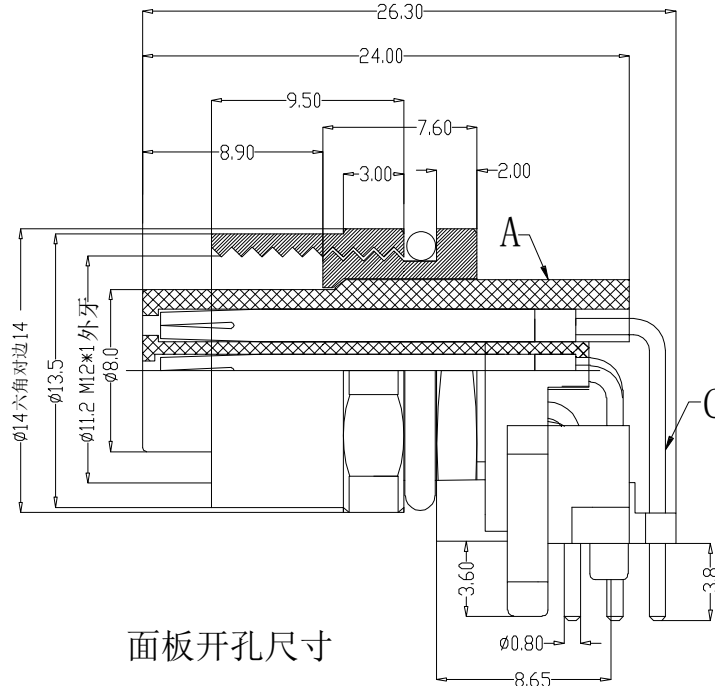
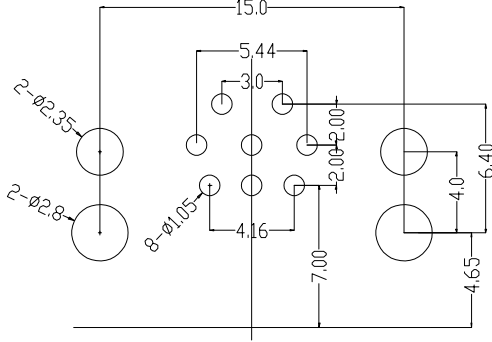


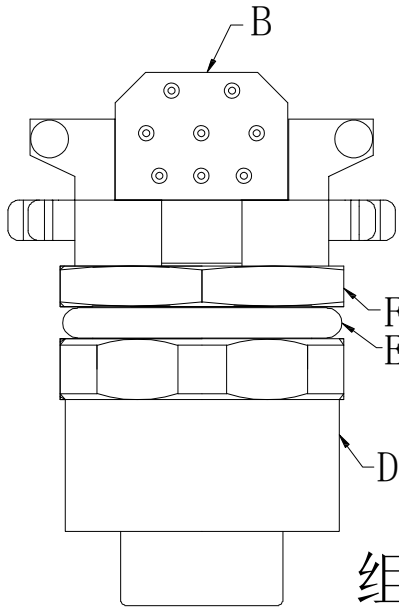
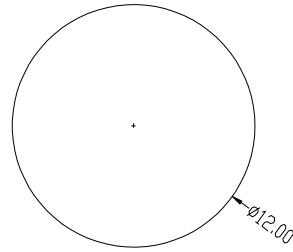
The product using material and processing must conform to the "WL-PZ-001"HSF technical standard control requirements

RoHS

PCB开孔尺寸



面板开孔尺寸



组合图

Engagemer firce	≤50N	Rated voltage	30v DC
Disengagement force	≥5N	Rated current	2A
Mechanical lifespan	≥3000	Insulation resistrance	≥1000MΩ
IP rating	IP67	Conract resistangce	≤20MΩ
Flammability	UL94 V-0	Operation Temperature	
simple and clear	1.0~3.8KG	Cycle Life	2000 times

项目	零件	零件材质	处理	数量
A	绝缘体	PA66胶料	注塑要求颜色	1
B	定位胶塞	PA66胶料	注塑要求颜色	1
C	PIN针	H59黄铜	镀金	8
D	五金外壳	H65黄铜	镀镍	1
E	薄螺母	H59黄铜	镀镍	1
F	防水圈	硅胶	红色/黑色	1

P/N	TITLE
M12A08-04-102	M12防水 8P母座 A-CODE 板端弯头

REV.	REVISION RECORD	DATE		GENERAL TOLERANCES		SCALE: 1:1	NAME	DATE	PART.NO: M12A08-04-102	DWG.NO: ENDE05	 WanLian Technology Co., Ltd	
A0	NEW RELEASE	21.11.17		LINEAR	ANGLES							APPROVED
			UNIT:mm	0.00±0.25	X'±3'	DESIGNER						
			SIZE: A4	0.000±0.10	X'X' ±2'	DRAWN						