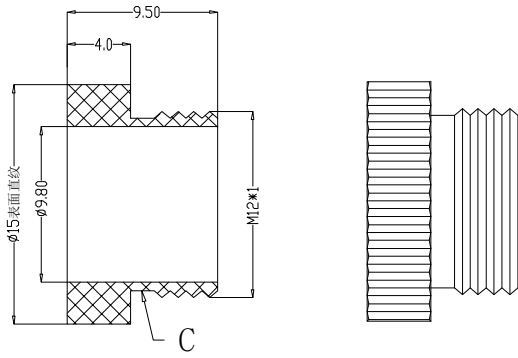
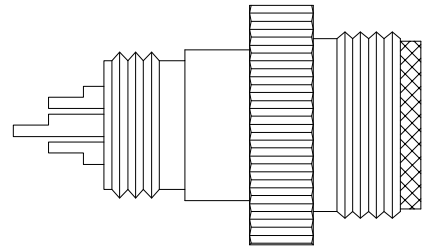
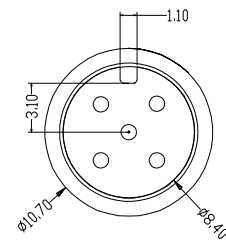
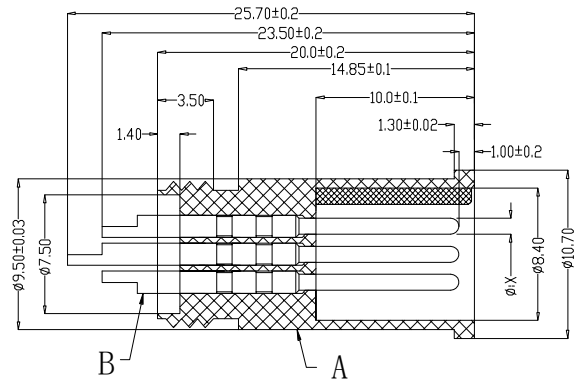
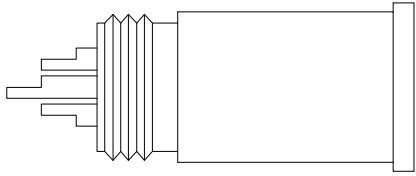
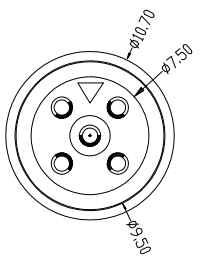


The product using material and processing must conform to the "WL-PZ-001" HSF technical standard control requirements

RoHS

图形																		
规格	2PIN	2PIN	2PIN 4改2	3PIN	3PIN	3PIN 4改3	4PIN 2+2	4PIN	5PIN	5PIN 正方形2+3	5PIN 180°	5PIN 260° 2+3	5PIN 360°	6PIN 360°	6PIN 258°	6PIN 8改6	7PIN	8PIN
X值	1.20	1.50	1.00	1.20	1.50	1.00	1.20+1.00	1.00	1.00	1.50+1.00	0.80	1.50+1.00	1.00	1.00	0.80	0.80	0.80	0.80



组合图

Engagemnr firce	$\leq 50N$	Rated volage	2-5pin:60v 6-8pin:30v	PARTS	MARERIALS	TREATMENT	AMOUNT
Disengagement force	$\geq 5N$	Rated current	2-5pin:4A 6-8pin:2A	A	HOUSING	PA66+GF	SPECIFY COLOR 1
Mechanical lifespan	≥ 500	Insulation resirance	$\geq 1000M\Omega$	B	CONTACT	BRASS	GOLD PLATED 8
IP rating	IP67/IP68	Conract resistangce	$\leq 10M\Omega$	C	NUT	ALALLOY	BLACK/SILVER 1
Flammability	UL94 V-0	Operation Temperature	$-40^{\circ}C \sim 105^{\circ}C$	D			
				E			

P/N	TITLE
M12A08-07-131	M12防水 A-CODE 8P线端公头 B款9.5L铝螺丝

REV.	REVISION RECORD	DATE
A0	NEW RELEASE	


GENERAL TOLERANCES	
LINEAR	ANGLES
0.0 ± 0.35	$X' \text{REF} \pm 6'$
0.00 ± 0.25	$X' \pm 3'$
0.000 ± 0.10	$X'X' \pm 2'$

SCALE: 1:1
APPROVED
DESIGNER
DRAWN

NAME	DATE

PART.NO:
M12A08-07-131
TITLE:
M12防水 A-CODE 8P线端公头 B款9.5L铝螺丝

DWG.NO:
ENDE05


 WanLian Technology Co., Ltd
 REV: A0 SHEET: 1/1