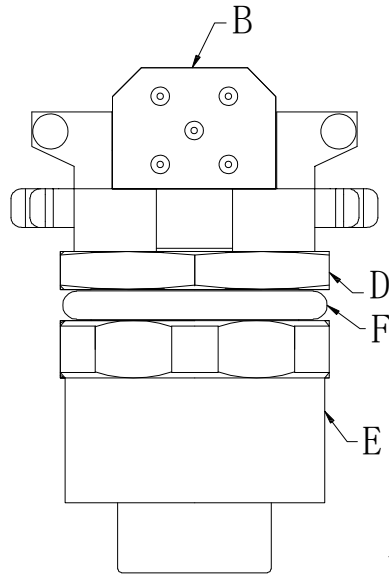
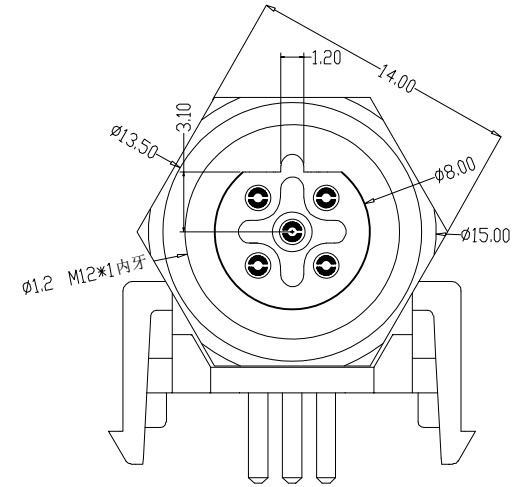
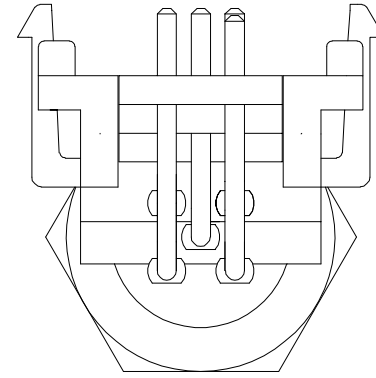
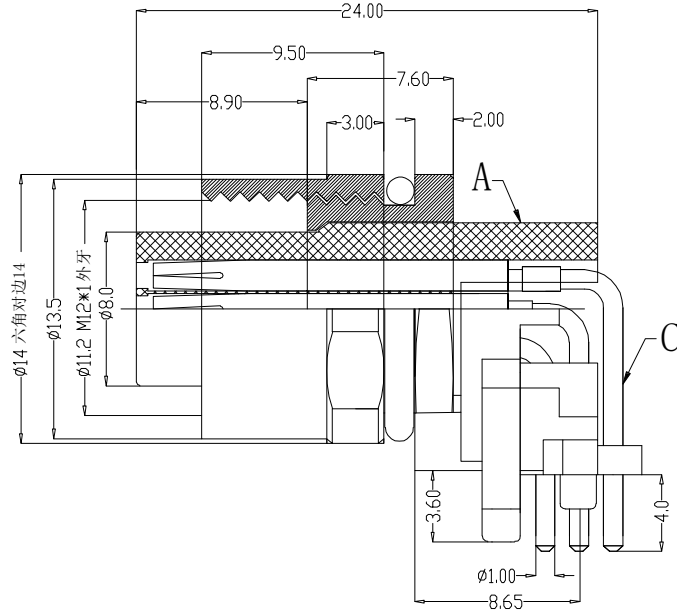
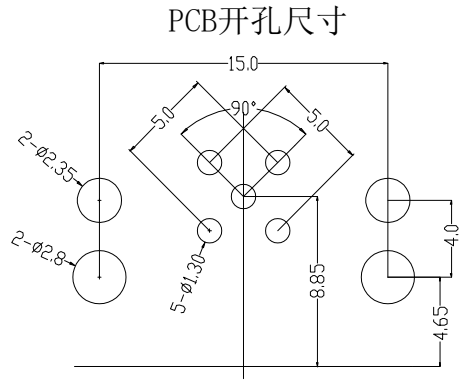
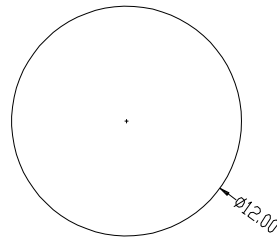


The product using material and processing must conform to the "WL-PZ-001"HSF technical standard control requirements

RoHS



面板开孔尺寸



组合图

Engagemer firce	≤50N	Rated voltage	60v DC	项目	零件	零件材质	处理	数量
Disengagement force	≥5N	Rated current	4A	A	绝缘体	PA66胶料	注塑要求颜色	1
Mechanical lifespan	≥3000	Insulation resistence	≥1000MΩ	B	定位胶塞	PA66胶料	注塑要求颜色	1
IP rating	IP67	Conract resistange	≤20MΩ	C	PIN针	H59黄铜	镀金	5
Flammability	UL94 V-0	Operation Temperature		D	五金外壳	H65黄铜	镀镍	1
simple and clear	1.0~3.8KG	Cycle Life	2000 times	E	薄螺母	H59黄铜	镀镍	1
				F	防水圈	硅胶	红色/黑色	1

P/N	TITLE
M12B05-04-103	M12防水 5P母座 B-CODE 板端弯头

REV.	REVISION RECORD	DATE	GENERAL TOLERANCES	SCALE:	NAME	DATE	PART.NO:	DWG.NO:
A0	NEW RELEASE	M12B05-04-103	LINEAR	1:1			M12B05-04-103	ENDE05
			ANGLES	APPROVED				
			0.0±0.35	DESIGNER			TITLE:	
			X'REF±6'	DRAWN			M12防水 5P母座 B-CODE 板端弯头	
			UNIT:mm					REV: A0
			0.00±0.25					SHEET: 1/1
			X'±3'					
			0.000±0.10					
			X'X' ±2'					



REV: A0 SHEET: 1/1