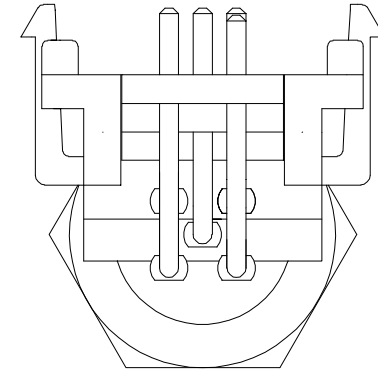
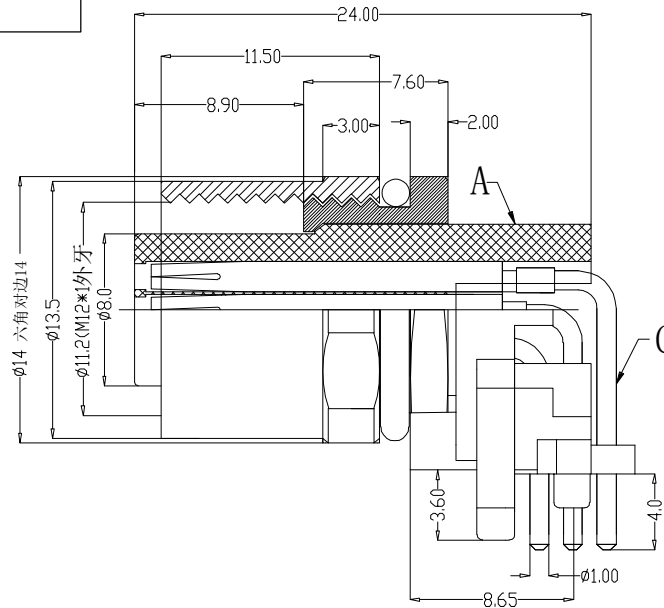
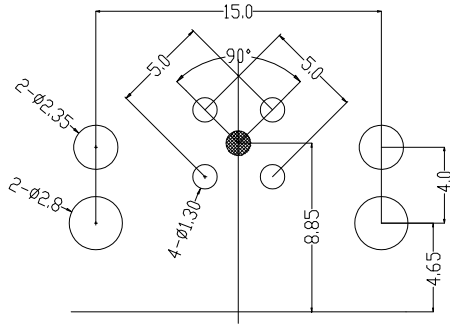


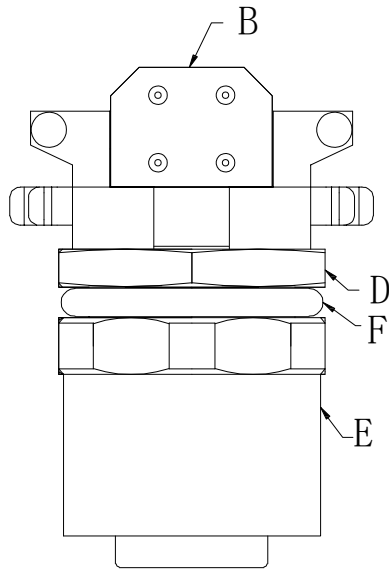
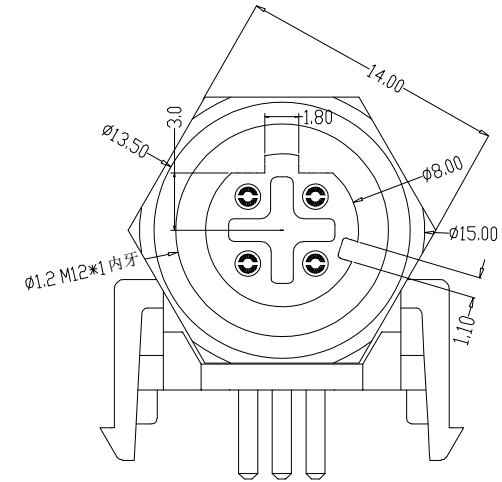
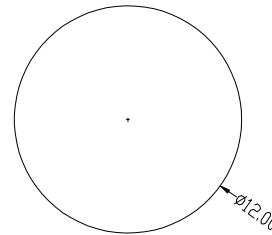
The product using material and processing must conform to the "WL-PZ-001" HSF technical standard control requirements

RoHS

PCB开孔尺寸



面板开孔尺寸



组合图

| | | | | | | | | |
|---------------------|-----------|-----------------------|------------|----|------|--------|--------|----|
| Engagement force | ≤50N | Rated voltage | 60v DC | 项目 | 零件 | 零件材质 | 处理 | 数量 |
| Disengagement force | ≥5N | Rated current | 4A | A | 绝缘体 | PA66胶料 | 注塑要求颜色 | 1 |
| Mechanical lifespan | ≥3000 | Insulation resistance | ≥1000MΩ | B | 定位胶塞 | PA66胶料 | 注塑要求颜色 | 1 |
| IP rating | IP67 | Contact resistance | ≤20MΩ | C | PIN针 | H59黄铜 | 镀金 | 4 |
| Flammability | UL94 V-0 | Operation Temperature | | D | 五金外壳 | H65黄铜 | 镀镍 | 1 |
| simple and clear | 1.0~3.8KG | Cycle Life | 2000 times | E | 薄螺母 | H59黄铜 | 镀镍 | 1 |
| | | | | F | 防水圈 | 硅胶 | 红色/黑色 | 1 |

| P/N | TITLE |
|---------------|--------------------------------|
| M12D04-04-104 | M12防水 4P母座 D-CODE 板端弯头 螺母11.5L |

| | | | | | | | | | | | |
|------|-----------------|----------|----------|--------------------|----------|------------|------|------|--|-------------------|---------------------------------|
| REV. | REVISION RECORD | DATE | | GENERAL TOLERANCES | | SCALE: 1:1 | NAME | DATE | PART.NO: M12D04-04-104 | DWG.NO: ENDE05 | WanLian Technology Co., Ltd |
| A0 | NEW RELEASE | 21.11.17 | | LINEAR | ANGLES | | | | | | |
| | | | UNIT:mm | 0.00±0.25 | X'±3' | DESIGNER | | | TITLE: M12防水 4P母座 D-CODE 板端弯头 螺母11.5L | REV: A0 | SHEET: 1/1 |
| | | | SIZE: A4 | 0.000±0.10 | X'X' ±2' | DRAWN | | | | | |