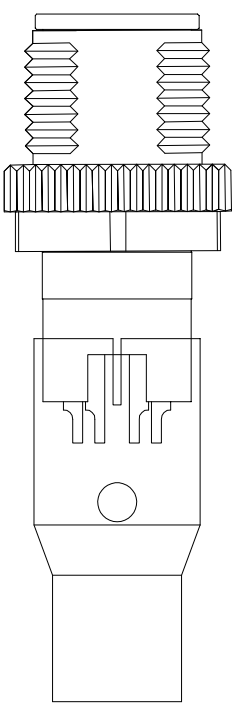
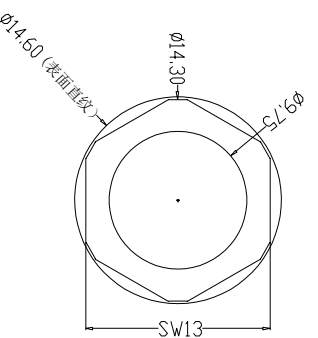
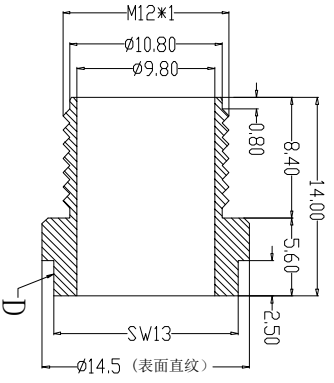
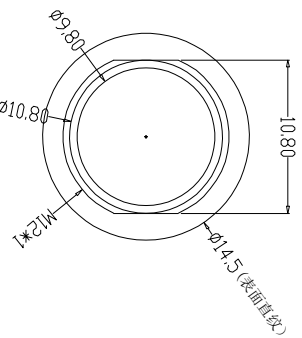
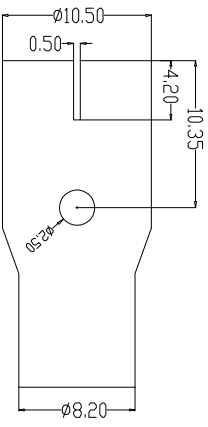
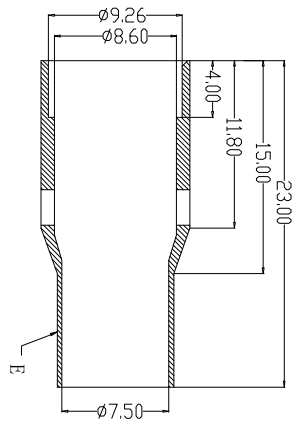
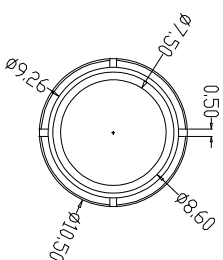
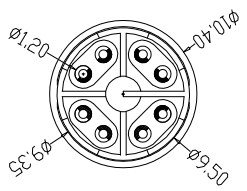
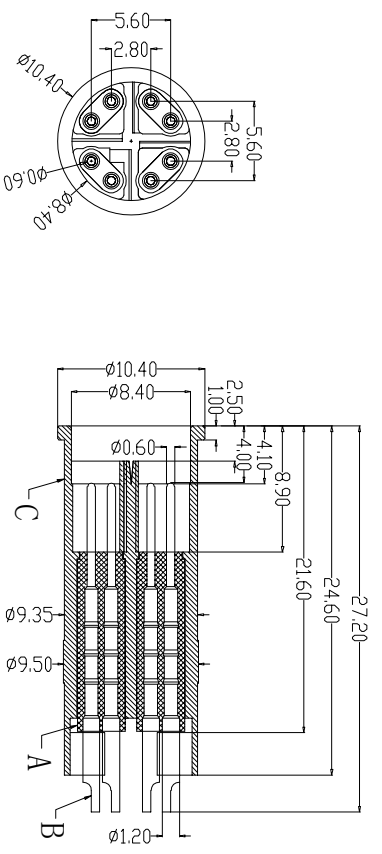


The product using material and processing standard must conform to the "WL-PZ-001"HSF technical standard control requirements



组合图

P/N	M12X08-01-026	TITLE	M12防水 8P线端公头 X-CODE 三件套
Engagement force	≤50N	Rated voltage	48v
Disengagement force	≥10N	Rated current	0.5A
Mechanical lifespan	≥500	Insulation resistance	≥1000MΩ
IP rating	IP67/IP68	Contract resistance	≤10MΩ
Flammability	UL94 V-0	Operation Temperature	-40° C~105° C

PARTS	MATERIALS	TREATMENT	AMOUNT
A HOUSING	PA66+GF	SPECIFY COLOR	1
B CONTACT	BRASS	GOLD PLATED	8
C OUTLET/CONTACT	AINC ALLOY	NICKL. PLATED	1
D NUT	AINC ALLOY	NICKL. PLATED	1
E O-RING	BRASS	NICKL. PLATED	1

REV.	REVISION RECORD	DATE	21.11.17	UNIT:mm	SIZE:A4	0.000±0.10	X'X' ±2°	SCALE: 1:1	NAME	DATE	PART.NO:	M12XXX-01-026	DWG.NO:	ENDE05	REV: AO	SHEET: 1/1
AO	NEW RELEASE							APPROVED								
<p>GENERAL TOLERANCES</p> <p>LINEAR ANGLES X'REF±6°</p> <p>DESIGNER DRAWN</p> <p>TITLE: M12防水 8P 线端公头 X-CODE 三件套</p> <p>Wanlian Technology Co., Ltd</p>																