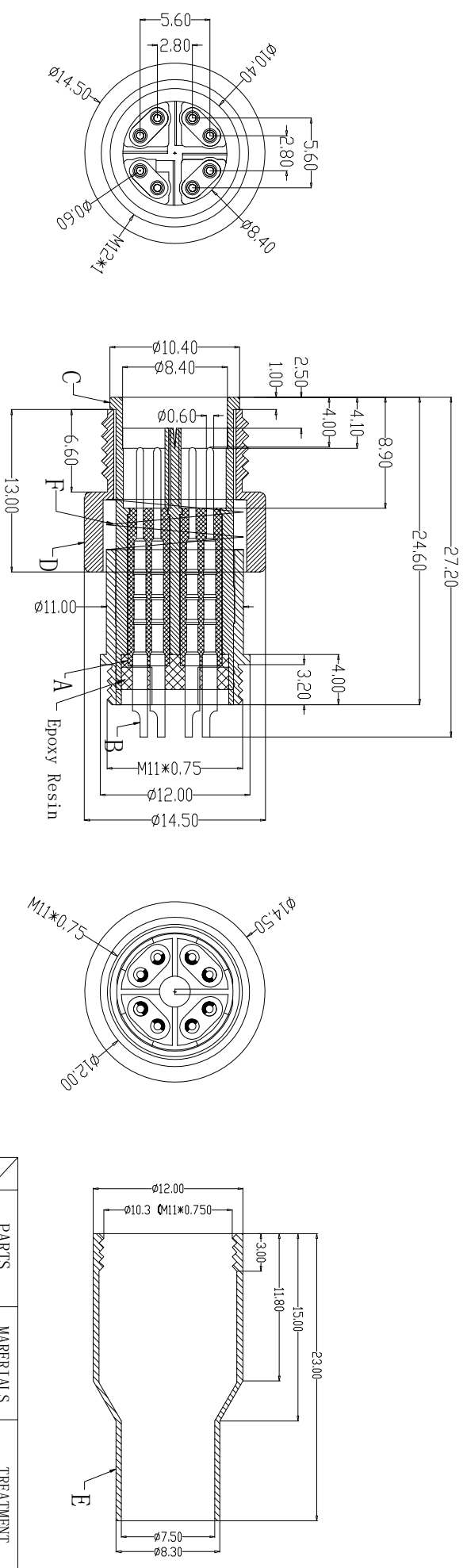
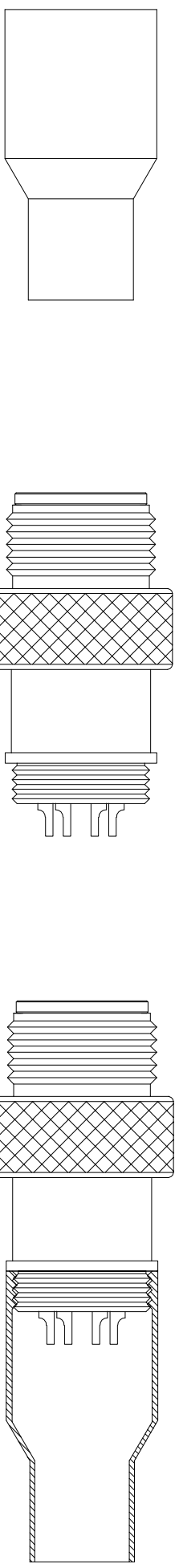


The product using material and processing standard conforms to the "WL-PZ-001"HSF technical standard control requirements



组合图



PARTS	MATERIALS	TREATMENT	AMOUNT
A HOUSING	PA66+GF	SPECIFY COLOR	1
B CONTACT	BRASS	GOLD PLATED	8
C OUTLET/CONTACT	ZINC ALLOY	NICKEL PLATED	1
D NUT	BRASS	NICKEL PLATED	1
E SHIELD	BRASS	NICKEL PLATED	1
F SPRING	SS	BLACK	1

P/N	TITLE	Engagement force	Disengagement force	Mechanical lifespan	IP rating	Flammability	Rated voltage	Rated current	Insulation resistance	Contract resistance	Operation Temperature
M12X08-01-027	M12防水 8P线端公头 X-CODE+锁牙屏蔽管	$\leq 50N$	$\geq 10N$	≥ 500	IP67/IP68	UL94 V-0	48v	0.5A	$\geq 1000M\Omega$	$\leq 10M\Omega$	-40° C~105° C

REV.	REVISION RECORD	DATE	GENERAL TOLERANCES	SCALE:	NAME	DATE	PART.NO:	DWG.NO:
A0	NEW RELEASE	21.11.17	LINEAR ANGLES	1:1			M12XXX-01-027	ENDE05

REV.	REVISION RECORD	DATE	UNIT:mm	SIZE:A4	0.0±0.35	X'REF±6°	X'±3'	X'X'±2'	TITLE:	REV:	SHEET:
1					0.00±0.25				M12防水 8P线端公头 X-CODE+锁牙屏蔽管	A0	1/1



Wanlian Technology Co., Ltd