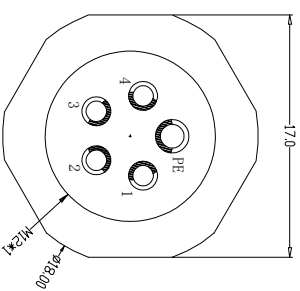
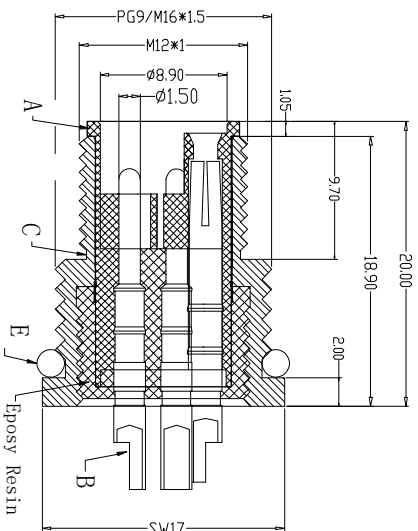
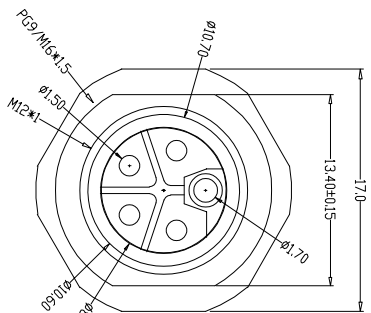
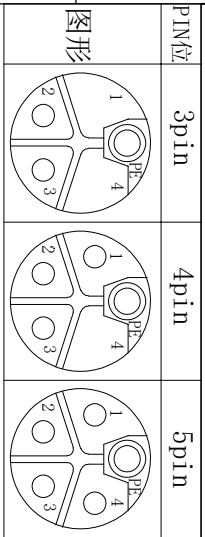
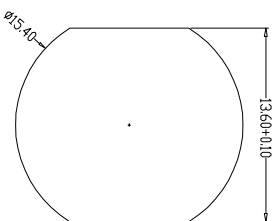
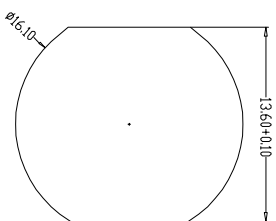
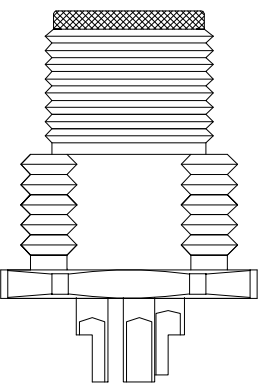
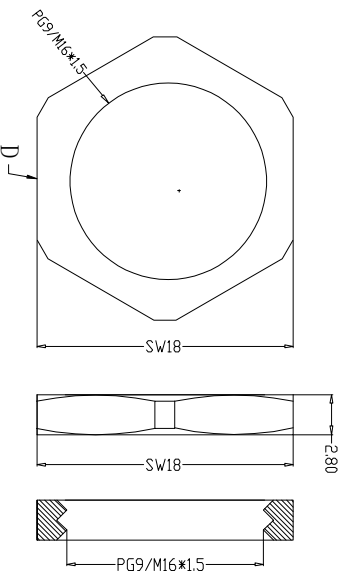


The product using material and processing must conform to the "WL-PZ-001"HSF technical standard control requirements

RoHS



Recommended Panel Cut-out



P/N	TITLE
M12103-03-098	M12防水 L-CODE 3P线端公头 前锁面板式PG9/MI6 SW17T
M12104-03-098	M12防水 L-CODE 4P线端公头 前锁面板式PG9/MI6 SW17T
M12105-03-098	M12防水 L-CODE 5P线端公头 前锁面板式PG9/MI6 SW17T

Engagement force	≤50N	Rated voltage	63v
Disengagement force	≥10N	Rated current	16A
Mechanical lifespan	≥500	Insulation resistance	≥1000MΩ
IP rating	IP67/IP68	Contract resistance	≤10MΩ
Flammability	UL94 V-0	Operation Temperature	-40° C~105° C

PARTS	MATERIALS	TREATMENT	AMOUNT
A HOUSING	PA66+GF	SPECIFY COLOR	1
B CONTACT	BRASS	GOLD PLATED	3*5
C OUTER CONTACT	BRASS	NICKL PLATED	1
D NUT	BRASS	NICKL PLATED	1
E O-RING	EPDM	BLACK	1

REVISION RECORD	DATE	SCALE:	NAME	DATE	PART.NO:	DWG.NO:
NEW RELEASE	21.11.17	1:1			M12XXX-03-098	ENDE05

GENERAL TOLERANCES	SCALE:	NAME	DATE
LINEAR	1:1		
ANGLES			
APPROVED			
DESIGNER			
DRAWN			

UNIT:mm	SIZE: A4	0.00±0.25	X'±3'	0.00±0.10	X'X'±2'
---------	----------	-----------	-------	-----------	---------

REVISION RECORD	DATE	SCALE:	NAME	DATE	PART.NO:	DWG.NO:
NEW RELEASE	21.11.17	1:1			M12XXX-03-098	ENDE05

GENERAL TOLERANCES	SCALE:	NAME	DATE
LINEAR	1:1		
ANGLES			
APPROVED			
DESIGNER			
DRAWN			

UNIT:mm	SIZE: A4	0.00±0.25	X'±3'	0.00±0.10	X'X'±2'
---------	----------	-----------	-------	-----------	---------

REV: AO SHEET: 1/1



Wanlian Technology Co., Ltd