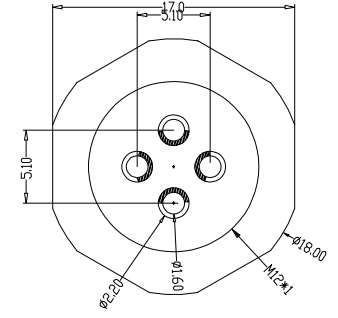
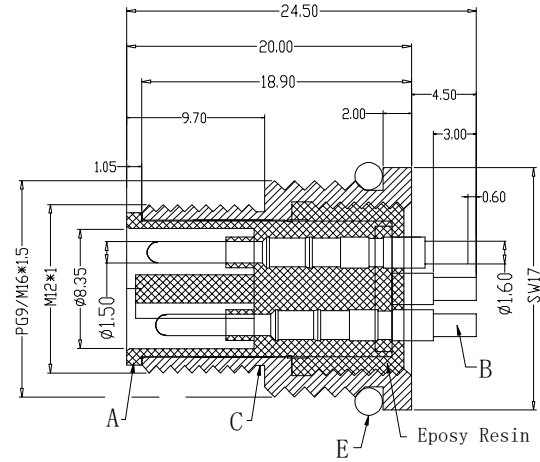
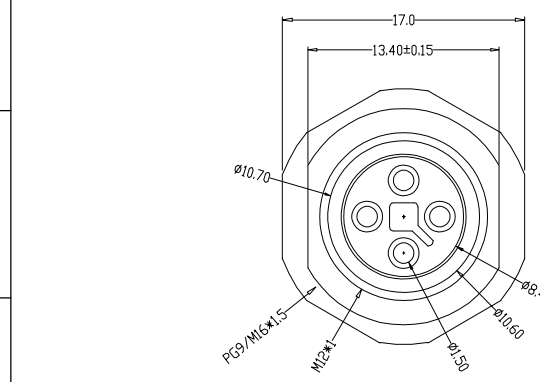
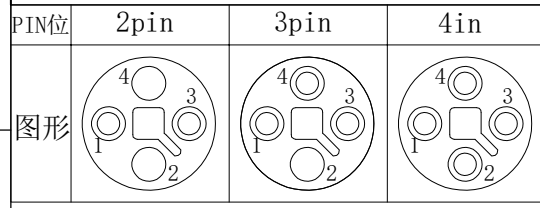
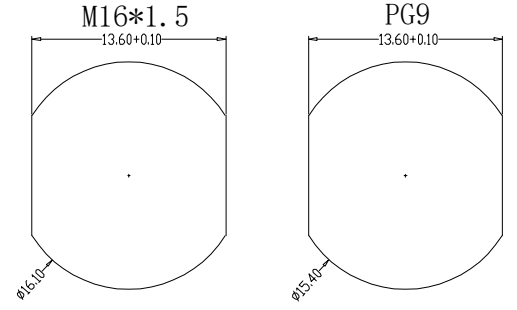
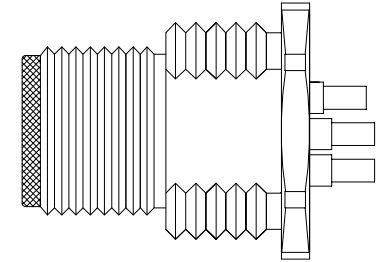
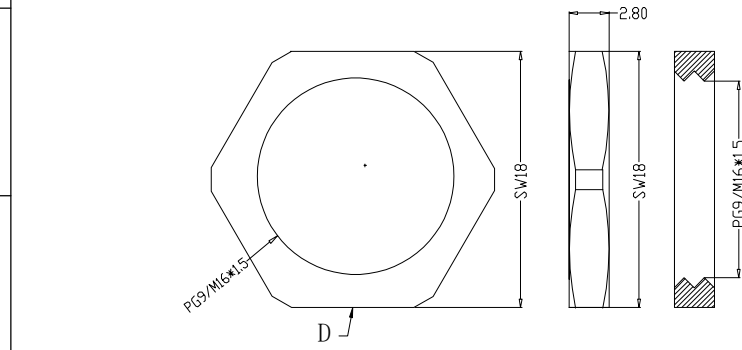


The product using material and processing must conform to the "WL-PZ-001" HSF technical standard control requirements

RoHS



Recommended Panel Cut-out



Engagemer force	≤50N	Rated voltage	50V AV/63VDC	PARTS	MARERIALS	TREATMENT	AMOUNT
Disengagement force	≥10N	Rated current	12A	A	HOUSING	PA66+GF	SPECIFY COLOR 1
Mechanical lifespan	≥500	Insulation resistance	≥1000MΩ	B	CONTACT	BRASS	GOLD PLATED 2~4
IP rating	IP67/IP68	Conract resistangce	≤10MΩ	C	OUTER CONTACT	BRASS	NICKL PLATED 1
Flammability	UL94 V-0	Operation Temperature	-40° C~105° C	D	NUT	BRASS	NICKL PLATED 1
				E	O-RING	EPDM	BLACK 1

P/N	TITLE
M12T02-03-099	M12防水 2P板端公头 T-CODE 前锁面板式PG9/M16 SW17T-24.5L
M12T03-03-099	M12防水 3P板端公头 T-CODE 前锁面板式PG9/M16 SW17T-24.5L
M12T04-03-099	M12防水 4P板端公头 T-CODE 前锁面板式PG9/M16 SW17T-24.5L

REV.	REVISION RECORD	DATE	GENERAL TOLERANCES	SCALE: 1:1	NAME	DATE	PART.NO:	DWG.NO:	 WanLian Technology Co., Ltd
A0	NEW RELEASE	21.11.17	LINEAR	APPROVED			M12XXX-03-099	ENDE05	
			ANGLES	DESIGNER			TITLE:		
			0.0±0.35 X°REF±6°	DRAWN			M12防水 板端公头 T-CODE 前锁面板式PG9/M16 SW17T-24.5L		
			UNIT:mm						REV: A0
			SIZE: A4						SHEET: 1/1