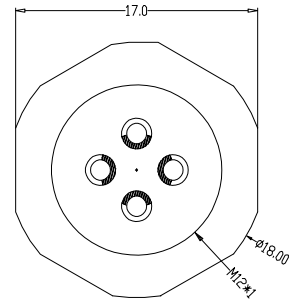
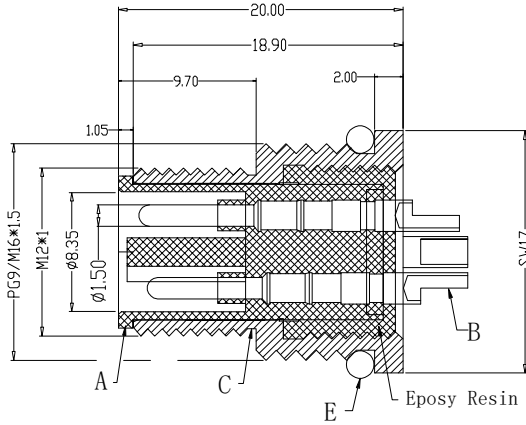
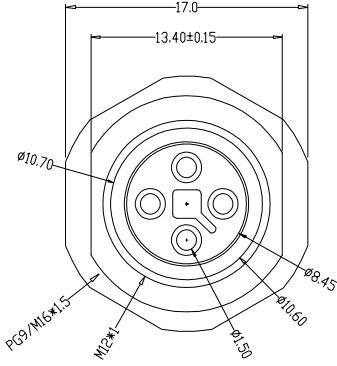
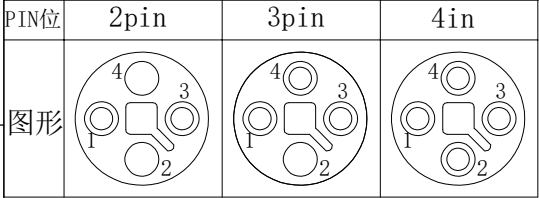
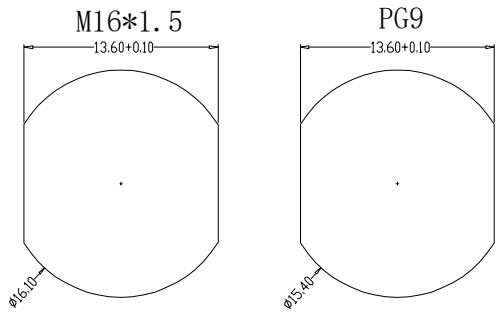
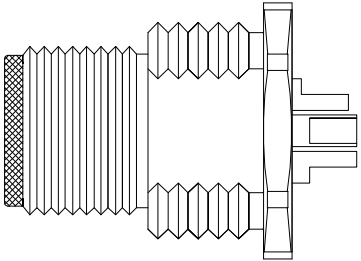
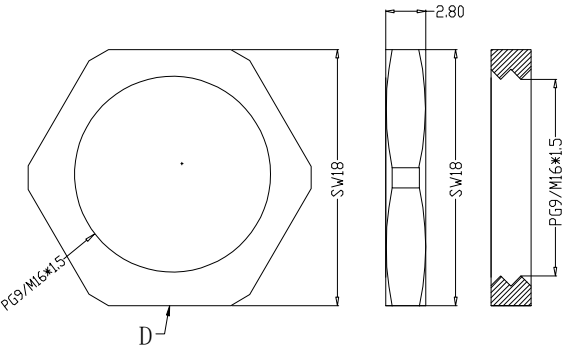


The product using material and processing must conform to the "WL-PZ-001"HSF technical standard control requirements

RoHS



Recommended Panel Cut-out



Engagemer firce	≤50N	Rated volage	50V AV/63V DC
Disengagement force	≥10N	Rated current	12A
Mechanical lifespan	≥500	Insulation rirsurance	≥1000MΩ
IP rating	IP67/IP68	Conract resistangce	≤10MΩ
Flammability	UL94 V-0	Operation Temperature	-40° C~105° C

PARTS	MARERIALS	TREATMENT	AMOUNT
A HOUSING	PA66+GF	SPECIFY COLOR	1
B CONTACT	BRASS	GOLD PLATED	2~4
C OUTER CONTACT	BRASS	NICKL PLATED	1
D NUT	BRASS	NICKL PLATED	1
E O-RING	EPDM	BLACK	1

P/N	TITLE
M12T02-03-100	M12防水 2P板端头 T-CODE 前锁面板式PG9/M16 SW17T/24. 7L
M12T03-03-100	M12防水 3P板端头 T-CODE 前锁面板式PG9/M16 SW17T/24. 7L
M12T04-03-100	M12防水 4P板端头 T-CODE 前锁面板式PG9/M16 SW17T/24. 7L

REV.	REVISION RECORD	DATE		GENERAL TOLERANCES		SCALE:	NAME	DATE	PART.NO:	DWG.NO:	 WanLian Technology Co., Ltd	
A0	NEW RELEASE	21.11.17		LINEAR	ANGLES	1:1						
				0.0±0.35	X'REF±6'	APPROVED						
				UNIT:mm	0.00±0.25	X'±3'						DESIGNER
			SIZE: A4	0.000±0.10	X'X' ±2'	DRAWN			TITLE:	M12防水 板端头 T-CODE 前锁面板式PG9/M16 SW17T/24. 7L	REV: A0	SHEET: 1/1