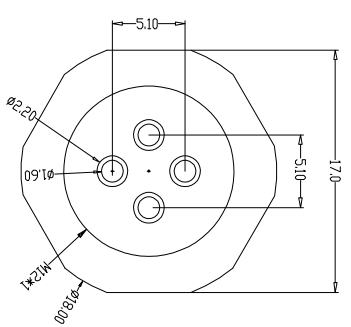
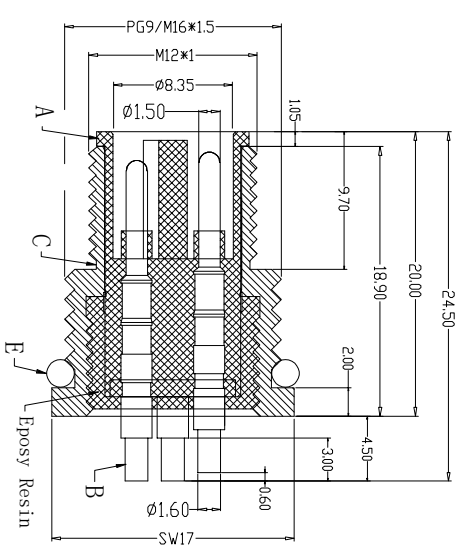
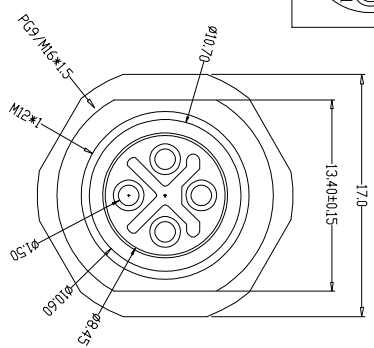
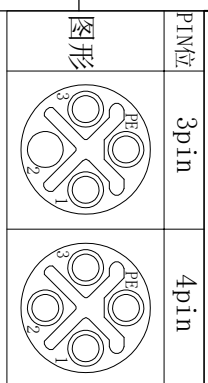
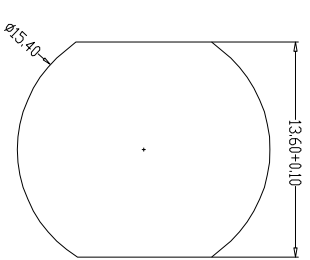
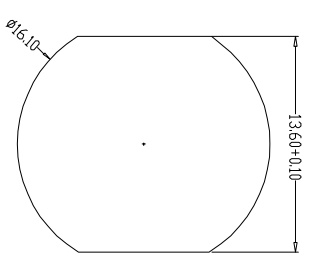
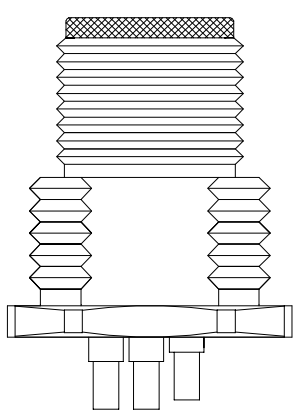
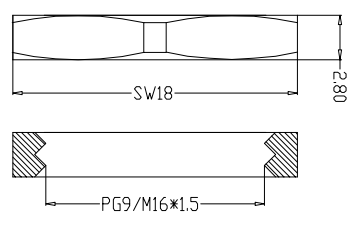
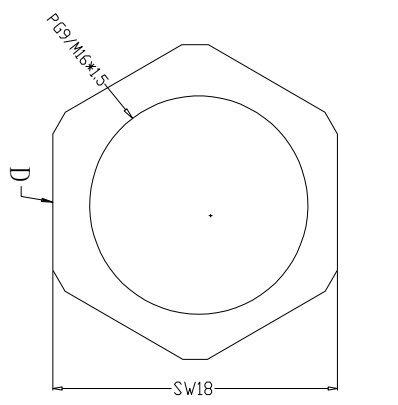


The product using material and processing must conform to the "WL-PZ-001"HSF technical standard control requirements



Recommended Panel Cut-out



| | | |
|---------------|---------------------|-------------------------|
| P/N | TITLE | |
| M12S03-03-101 | M12防水 3P板端公头 S-CODE | 前锁面板式PG9/M16 SW17T24.5L |
| M12S04-03-101 | M12防水 4P板端公头 S-CODE | 前锁面板式PG9/M16 SW17T24.5L |

| | | | |
|---------------------|-----------|-----------------------|---------------|
| Engagement force | ≤50N | Rated voltage | 630V |
| Disengagement force | ≥10N | Rated current | 12A |
| Mechanical lifespan | ≥500 | Insulation resistance | ≥1000MΩ |
| IP rating | IP67/IP68 | Contract resistance | ≤10MΩ |
| Flammability | UL94 V-0 | Operation Temperature | -40° C~105° C |

| PARTS | MATERIALS | TREATMENT | AMOUNT |
|-----------------|-----------|---------------|--------|
| A HOUSING | PA66-GF | SPECIFY COLOR | 1 |
| B CONTACT | BRASS | GOLD PLATED | 3~4 |
| C OUTER CONTACT | BRASS | NICKL PLATED | 1 |
| D NUT | BRASS | NICKL PLATED | 1 |
| E O-RING | EPDM | BLACK | 1 |

| | | | | | | | |
|------|-----------------|----------|--------|------|------|---------------|---------|
| REV. | REVISION RECORD | DATE | SCALE: | NAME | DATE | PART.NO: | DWG.NO: |
| AO | NEW RELEASE | 21.11.17 | 1:1 | | | M12XXX-03-101 | ENDE05 |

| | | | | | |
|--------------------|-----------|------------|----------|----------|-------|
| GENERAL TOLERANCES | LINEAR | ANGLES | APPROVED | DESIGNER | DRAWN |
| | 0.0±0.35 | X'REF±6° | | | |
| | 0.00±0.25 | X'±3' | | | |
| | UNIT:mm | X'X'±2' | | | |
| | SIZE:A4 | 0.000±0.10 | | | |

| | |
|--------|---|
| TITLE: | M12防水 板端公头 S-CODE 前锁面板式PG9/M16 SW17T24.5L |
| REV: | AO |
| SHEET: | 1/1 |

