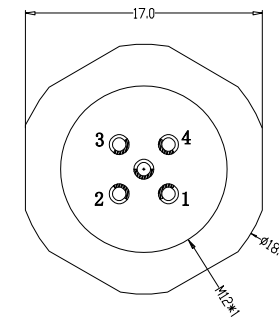
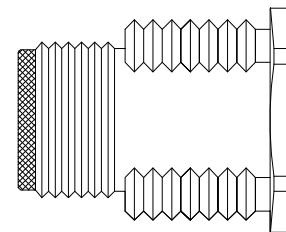
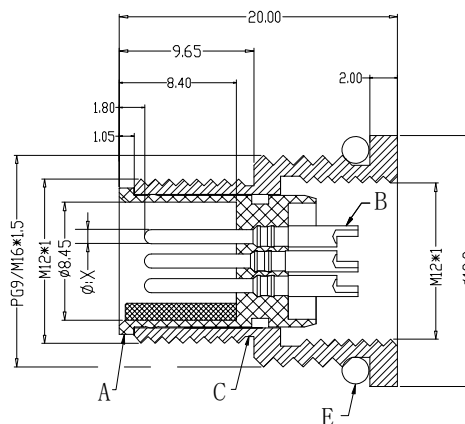
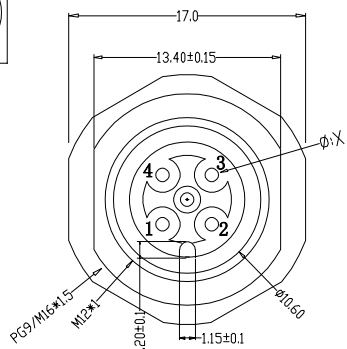


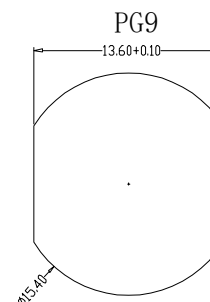
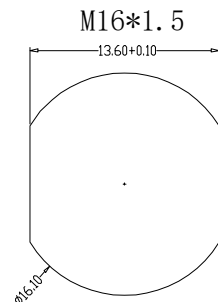
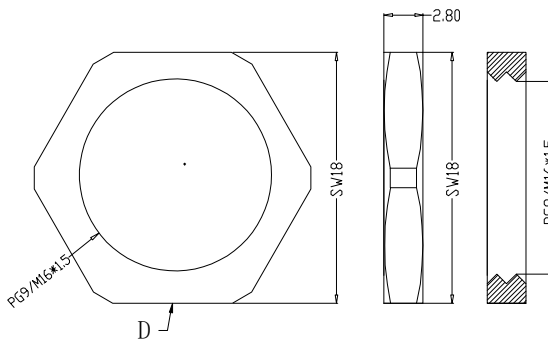
The product using material and processing must conform to the "WL-PZ-001" HSF technical standard control requirements

RoHS

PIN位	2pin	3pin	4pin	5pin	6pin	7pin	8pin
X 值	1.00	1.00	1.00	1.00	0.80	0.80	0.80
A-CODE 图形							
B-CODE 图形							
D-CODE 图形							



Recommended Panel Cut-out



P/N	TITLE
M12A02-03-103	M12防水 A-CODE 2P线端公头 前锁面板式PG9/M16 SW17T后灌胶
M12A03-03-103	M12防水 A-CODE 3P线端公头 前锁面板式PG9/M16 SW17T后灌胶
M12A04-03-103	M12防水 A-CODE 4P线端公头 前锁面板式PG9/M16 SW17T后灌胶
M12A05-03-103	M12防水 A-CODE 5P线端公头 前锁面板式PG9/M16 SW17T后灌胶
M12A06-03-103	M12防水 A-CODE 6P线端公头 前锁面板式PG9/M16 SW17T后灌胶
M12A07-03-103	M12防水 A-CODE 7P线端公头 前锁面板式PG9/M16 SW17T后灌胶
M12A08-03-103	M12防水 A-CODE 8P线端公头 前锁面板式PG9/M16 SW17T后灌胶
M12B02-03-103	M12防水 B-CODE 2P线端公头 前锁面板式PG9/M16 SW17T后灌胶
M12B03-03-103	M12防水 B-CODE 3P线端公头 前锁面板式PG9/M16 SW17T后灌胶
M12B04-03-103	M12防水 B-CODE 4P线端公头 前锁面板式PG9/M16 SW17T后灌胶
M12B05-03-103	M12防水 B-CODE 5P线端公头 前锁面板式PG9/M16 SW17T后灌胶
M12D02-03-103	M12防水 D-CODE 2P线端公头 前锁面板式PG9/M16 SW17T后灌胶
M12D03-03-103	M12防水 D-CODE 3P线端公头 前锁面板式PG9/M16 SW17T后灌胶
M12D04-03-103	M12防水 D-CODE 4P线端公头 前锁面板式PG9/M16 SW17T后灌胶

Engagemn frirce	≤50N	Rated voltage	2-5pin: 60v 6-8pin: 30v	PARTS	A	MARERIALS	PA66+GF	TREATMENT	SPECIFY COLOR	AMOUNT	1
Disengagement force	≥10N	Rated current	2-5pin: 4A 6-8pin: 2A	B	CONTACT	BRASS	GOLD PLATED		2~8		
Mechanical lifespan	≥500	Insulation resirance	≥1000MΩ	C	OUTER CONTACT	BRASS	NICKL PLATED		1		
IP rating	IP67/IP68	Conract resistangce	≤10MΩ	D	NUT	BRASS	NICKL PLATED		1		
Flammability	UL94 V-0	Operation Temperature	-40° C~105° C	E	O-RING	EPDM	BLACK		1		

REV.	REVISION RECORD	DATE	GENERAL TOLERANCES	SCALE:	NAME	DATE	PART.NO:	DWG.NO:
A0	NEW RELEASE	21.11.17	LINEAR	1:1			M12XXX-03-103	ENDE05
			ANGLES	APPROVED				
			0.0±0.35	DESIGNER				
			X'REF ±6'	DRAWN				
			UNIT:mm				TITLE:	
			0.00±0.25				M12防水 线端公头 前锁面板式PG9/M16 SW17T后灌胶	
			0.000±0.10					
			X'X' ±2'					

WanLian Technology Co., Ltd

REV: A0 SHEET: 1/1