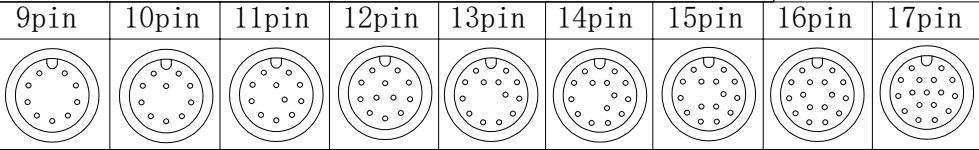
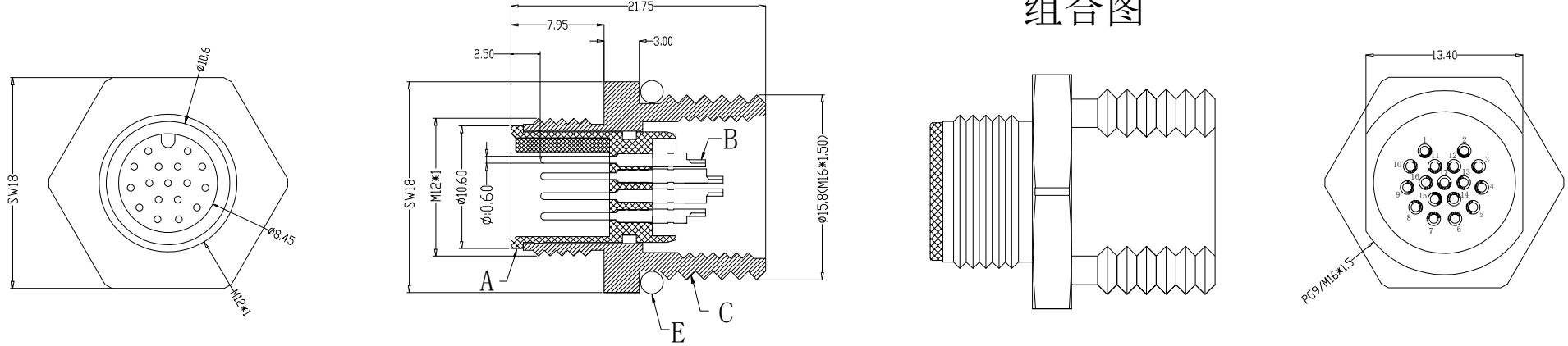


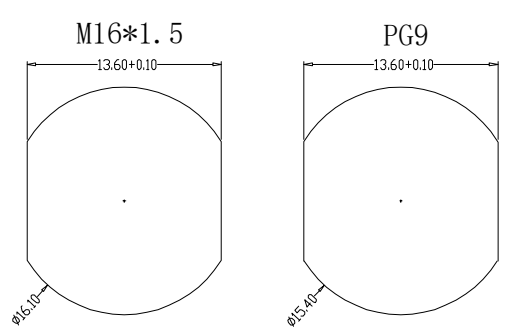
The product using material and processing must conform to the "WL-PZ-001" HSF technical standard control requirements



组合图



Recommended Panel Cut-out



P/N	TITLE
M12A09-03-114	M12防水 09P线端公头 A-CODE 后锁面板式PG9/M16 SW18T 后灌胶
M12A10-03-114	M12防水 10P线端公头 A-CODE 后锁面板式PG9/M16 SW18T 后灌胶
M12A11-03-114	M12防水 11P线端公头 A-CODE 后锁面板式PG9/M16 SW18T 后灌胶
M12A12-03-114	M12防水 12P线端公头 A-CODE 后锁面板式PG9/M16 SW18T 后灌胶
M12A13-03-114	M12防水 13P线端公头 A-CODE 后锁面板式PG9/M16 SW18T 后灌胶
M12A14-03-114	M12防水 14P线端公头 A-CODE 后锁面板式PG9/M16 SW18T 后灌胶
M12A15-03-114	M12防水 15P线端公头 A-CODE 后锁面板式PG9/M16 SW18T 后灌胶
M12A16-03-114	M12防水 16P线端公头 A-CODE 后锁面板式PG9/M16 SW18T 后灌胶
M12A17-03-114	M12防水 17P线端公头 A-CODE 后锁面板式PG9/M16 SW18T 后灌胶

Engagemer firce	≤50N	Rated volage	30V	<table border="1"> <thead> <tr> <th>PARTS</th> <th>MARERIALS</th> <th>TREATMENT</th> <th>AMOUNT</th> </tr> </thead> <tbody> <tr> <td>A HOUSING</td> <td>PA66+GF</td> <td>SPECIFY COLOR</td> <td>1</td> </tr> <tr> <td>B CONTACT</td> <td>BRASS</td> <td>GOLD PLATED</td> <td>9~17</td> </tr> <tr> <td>C OUTER CONTACT</td> <td>BRASS</td> <td>NICKL PLATED</td> <td>1</td> </tr> <tr> <td>D NUT</td> <td>BRASS</td> <td>NICKL PLATED</td> <td>1</td> </tr> <tr> <td>E O-RING</td> <td>EPDM</td> <td>BLACK</td> <td>1</td> </tr> </tbody> </table>	PARTS	MARERIALS	TREATMENT	AMOUNT	A HOUSING	PA66+GF	SPECIFY COLOR	1	B CONTACT	BRASS	GOLD PLATED	9~17	C OUTER CONTACT	BRASS	NICKL PLATED	1	D NUT	BRASS	NICKL PLATED	1	E O-RING	EPDM	BLACK	1
PARTS	MARERIALS	TREATMENT	AMOUNT																									
A HOUSING	PA66+GF	SPECIFY COLOR	1																									
B CONTACT	BRASS	GOLD PLATED	9~17																									
C OUTER CONTACT	BRASS	NICKL PLATED	1																									
D NUT	BRASS	NICKL PLATED	1																									
E O-RING	EPDM	BLACK	1																									
Disengagement force	≥10N	Rated current	1.5A																									
Mechanical lifespan	≥500	Insulation resistance	≥1000MΩ																									
IP rating	IP67/IP68	Conract resistangce	≤10MΩ																									
Flammability	UL94 V-0	Operation Temperature	-40° C~105° C																									

REV.	REVISION RECORD	DATE	GENERAL TOLERANCES	SCALE:	NAME	DATE	PART.NO:	DWG.NO:								
A0	NEW RELEASE	21.11.17	<table border="1"> <tr> <td>LINEAR</td> <td>ANGLES</td> </tr> <tr> <td>0.0±0.35</td> <td>X'REF±6'</td> </tr> <tr> <td>0.00±0.25</td> <td>X'±3'</td> </tr> <tr> <td>0.000±0.10</td> <td>X'X' ±2'</td> </tr> </table>	LINEAR	ANGLES	0.0±0.35	X'REF±6'	0.00±0.25	X'±3'	0.000±0.10	X'X' ±2'	1:1			M12XXX-03-114	ENDE05
LINEAR	ANGLES															
0.0±0.35	X'REF±6'															
0.00±0.25	X'±3'															
0.000±0.10	X'X' ±2'															
			UNIT:mm	APPROVED			TITLE:									
			SIZE: A4	DESIGNER			M12防水 9~17P线端公头 后锁板式PG9/M16 SW18T后灌胶									
				DRAWN				REV: A0								
								SHEET: 1/1								