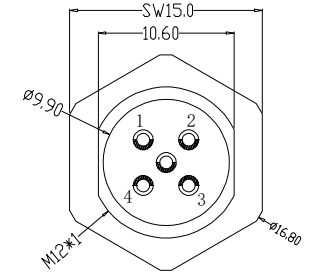
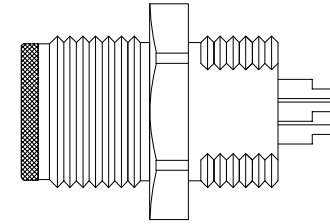
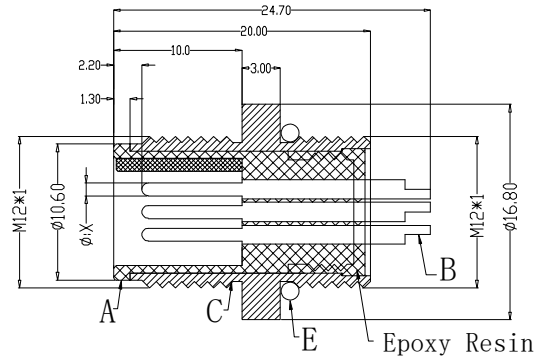
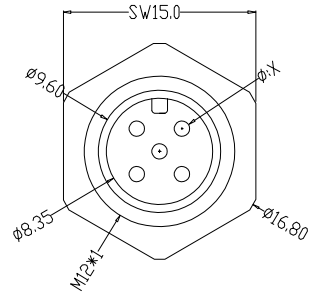


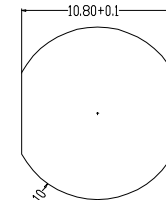
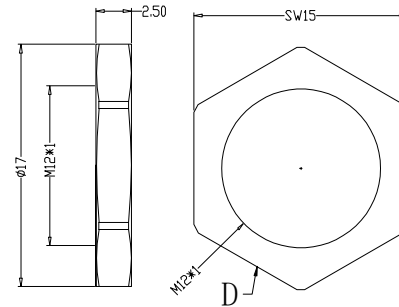
The product using material and processing must conform to the "WL-PZ-001"HSF technical standard control requirements

RoHS

PIN位	2pin	3pin	4pin	5pin	6pin	7pin	8pin
X 值	1.00	1.00	1.00	1.00	0.80	0.80	0.80
A-CODE 图形							
B-CODE 图形							
D-CODE 图形							



Recommended Panel Cut-out



P/N	TITLE
M12A02-03-117	M12防水 A-CODE 2P线端公头 后锁面板式M12 F15T
M12A03-03-117	M12防水 A-CODE 3P线端公头 后锁面板式M12 F15T
M12A04-03-117	M12防水 A-CODE 4P线端公头 后锁面板式M12 F15T
M12A05-03-117	M12防水 A-CODE 5P线端公头 后锁面板式M12 F15T
M12A06-03-117	M12防水 A-CODE 6P线端公头 后锁面板式M12 F15T
M12A07-03-117	M12防水 A-CODE 7P线端公头 后锁面板式M12 F15T
M12A08-03-117	M12防水 A-CODE 8P线端公头 后锁面板式M12 F15T
M12B02-03-117	M12防水 B-CODE 2P线端公头 后锁面板式M12 F15T
M12B03-03-117	M12防水 B-CODE 3P线端公头 后锁面板式M12 F15T
M12B04-03-117	M12防水 B-CODE 4P线端公头 后锁面板式M12 F15T
M12B05-03-117	M12防水 B-CODE 5P线端公头 后锁面板式M12 F15T
M12D02-03-117	M12防水 D-CODE 2P线端公头 后锁面板式M12 F15T
M12D03-03-117	M12防水 D-CODE 3P线端公头 后锁面板式M12 F15T
M12D04-03-117	M12防水 D-CODE 4P线端公头 后锁面板式M12 F15T

Engagemnr firce	≤50N	Rated volage	2-5pin:60v 6-8PIN:30V	A	HOUSING	PA66+GF	SPECIFY COLOR	1
Disengagement force	≥5N	Rated current	2-5pin:4A 6-8PIN:2A	B	CONTACT	BRASS	GOLD PLATED	2~8
Mechanical lifespan	≥500	Insulation resistance	≥1000MΩ	C	OUTER CONTACT	BRASS	NICKL PLATED	1
IP rating	IP67/IP68	Conract resistangce	≤10MΩ	D	NUT	BRASS	NICKL PLATED	1
Flammability	UL94 V-0	Operation Temperature	-40° C~105° C	E	O-RING	EPDM	BLACK	1

REV.	REVISION RECORD	DATE		GENERAL TOLERANCES		SCALE:	NAME	DATE	PART.NO:	DWG.NO:	 WanLian Technology Co., Ltd
A0	NEW RELEASE	21.11.17		LINEAR	ANGLES	1:1					
			UNIT:mm	0.0±0.35	X'REF±6'	APPROVED			TITLE:		
			SIZE: A4	0.00±0.25	X'±3'	DESIGNER			M12防水 2~8P线端公头 后锁面板式M12 F15T		REV: A0
				0.000±0.10	X'X' ±2'	DRAWN					SHEET: 1/1