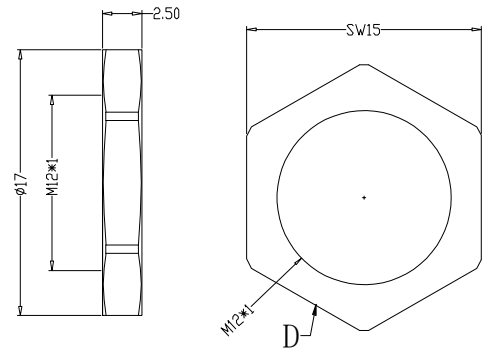
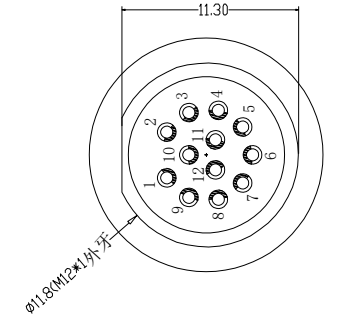
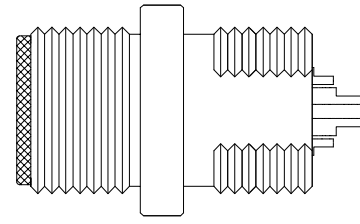
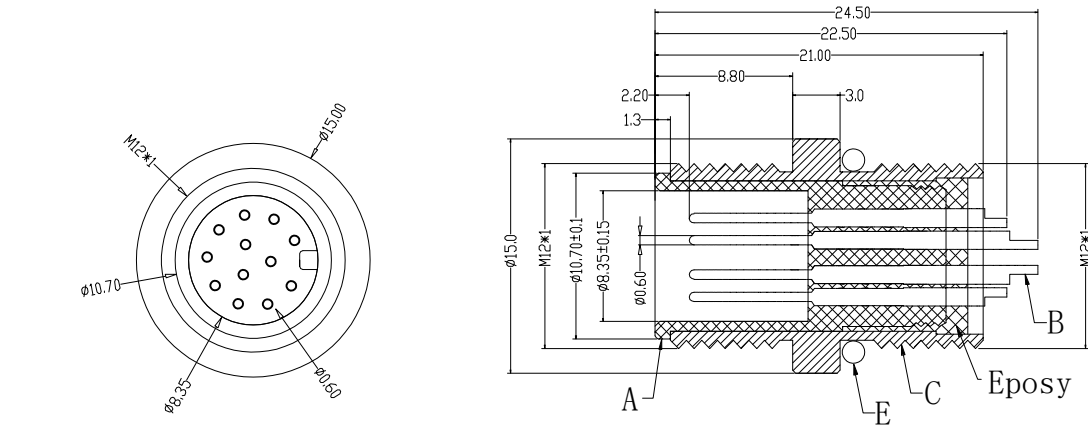
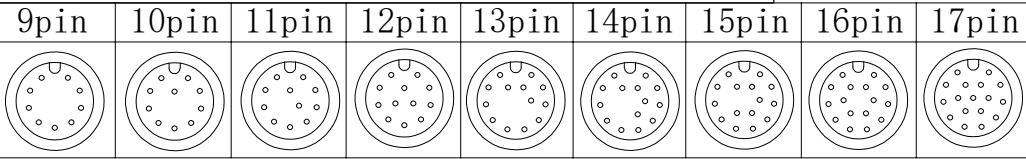


The product using material and processing must conform to the "WL-PZ-001"HSF technical standard control requirements

RoHS



Recommended Panel Cut-out

P/N	TITLE
M12A09-03-120	M12防水 A-CODE 09P线端公头 后锁面板式M12 SW15T
M12A10-03-120	M12防水 A-CODE 10P线端公头 后锁面板式M12 SW15T
M12A11-03-120	M12防水 A-CODE 11P线端公头 后锁面板式M12 SW15T
M12A12-03-120	M12防水 A-CODE 12P线端公头 后锁面板式M12 SW15T
M12A13-03-120	M12防水 A-CODE 13P线端公头 后锁面板式M12 SW15T
M12A14-03-120	M12防水 A-CODE 14P线端公头 后锁面板式M12 SW15T
M12A15-03-120	M12防水 A-CODE 15P线端公头 后锁面板式M12 SW15T
M12A16-03-120	M12防水 A-CODE 16P线端公头 后锁面板式M12 SW15T
M12A17-03-120	M12防水 A-CODE 17P线端公头 后锁面板式M12 SW15T

Engagemer firce	≤50N	Rated volage	30V	<table border="1"> <thead> <tr> <th></th> <th>PARTS</th> <th>MARERIALS</th> <th>TREATMENT</th> <th>AMOUNT</th> </tr> </thead> <tbody> <tr> <td>A</td> <td>HOUSING</td> <td>PA66+GF</td> <td>SPECIFY COLOR</td> <td>1</td> </tr> <tr> <td>B</td> <td>CONTACT</td> <td>BRASS</td> <td>GOLD PLATED</td> <td>9~17</td> </tr> <tr> <td>C</td> <td>OUTER CONTACT</td> <td>BRASS</td> <td>NICKL PLATED</td> <td>1</td> </tr> <tr> <td>D</td> <td>NUT</td> <td>BRASS</td> <td>NICKL PLATED</td> <td>1</td> </tr> <tr> <td>E</td> <td>O-RING</td> <td>EPDM</td> <td>BLACK</td> <td>1</td> </tr> </tbody> </table>		PARTS	MARERIALS	TREATMENT	AMOUNT	A	HOUSING	PA66+GF	SPECIFY COLOR	1	B	CONTACT	BRASS	GOLD PLATED	9~17	C	OUTER CONTACT	BRASS	NICKL PLATED	1	D	NUT	BRASS	NICKL PLATED	1	E	O-RING	EPDM	BLACK	1
	PARTS	MARERIALS	TREATMENT		AMOUNT																													
A	HOUSING	PA66+GF	SPECIFY COLOR		1																													
B	CONTACT	BRASS	GOLD PLATED		9~17																													
C	OUTER CONTACT	BRASS	NICKL PLATED		1																													
D	NUT	BRASS	NICKL PLATED	1																														
E	O-RING	EPDM	BLACK	1																														
Disengagement force	≥10N	Rated current	1.5A																															
Mechanical lifespan	≥500	Insulation resistance	≥1000MΩ																															
IP rating	IP67/IP68	Conract resistangce	≤10MΩ																															
Flammability	UL94 V-0	Operation Temperature	-40° C~105° C																															

REV.	REVISION RECORD	DATE	GENERAL TOLERANCES		SCALE:	NAME	DATE	PART.NO:	DWG.NO:
A0	NEW RELEASE		LINEAR	ANGLES	1:1			M12XXX-03-120	ENDE05
			0.0±0.35	X'REF±6'	APPROVED			M12防水 9~17P线端公头 后锁板式M12 F15T	 WanLian Technology Co., Ltd
			0.00±0.25	X'±3'	DESIGNER				
			0.000±0.10	X'X' ±2'	DRAWN				
			UNIT:mm						REV: A0
			SIZE: A4						SHEET: 1/1

