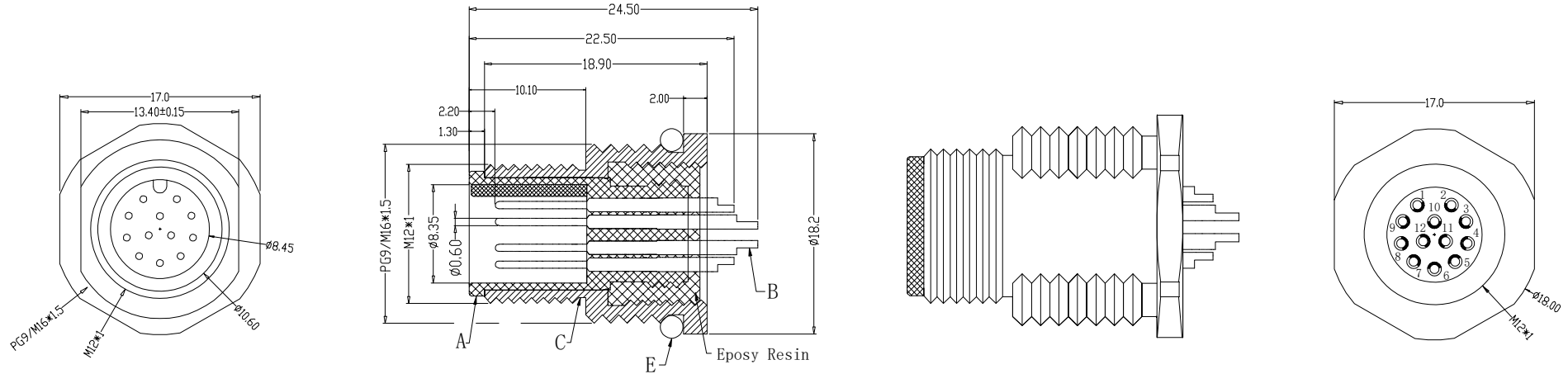
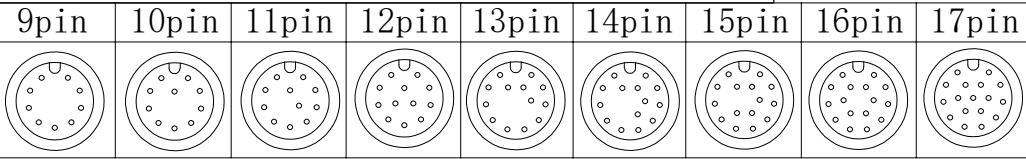
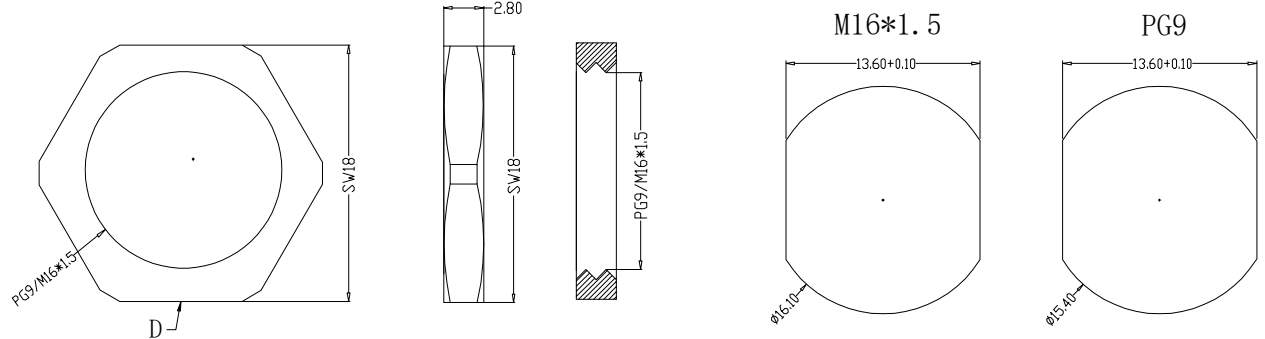


The product using material and processing must conform to the "WL-PZ-001" HSF technical standard control requirements

RoHS



Recommended Panel Cut-out
M16*1.5 PG9



P/N	TITLE
M12A09-03-123	M12防水 A-CODE 09P线端公头 前锁板式PG9/M16 F17T
M12A10-03-123	M12防水 A-CODE 10P线端公头 前锁板式PG9/M16 F17T
M12A11-03-123	M12防水 A-CODE 11P线端公头 前锁板式PG9/M16 F17T
M12A12-03-123	M12防水 A-CODE 12P线端公头 前锁板式PG9/M16 F17T
M12A13-03-123	M12防水 A-CODE 13P线端公头 前锁板式PG9/M16 F17T
M12A14-03-123	M12防水 A-CODE 14P线端公头 前锁板式PG9/M16 F17T
M12A15-03-123	M12防水 A-CODE 15P线端公头 前锁板式PG9/M16 F17T
M12A16-03-123	M12防水 A-CODE 16P线端公头 前锁板式PG9/M16 F17T
M12A17-03-123	M12防水 A-CODE 17P线端公头 前锁板式PG9/M16 F17T

Engagemer firce	≤50N	Rated volage	30V	PARTS	MARERIALS	TREATMENT	AMOUNT		
Disengagement force	≥10N	Rated current	1.5A		A	HOUSING	PA66+GF	SPECIFY COLOR	1
Mechanical lifespan	≥500	Insulation resistance	≥1000MΩ		B	CONTACT	BRASS	GOLD PLATED	9~17
IP rating	IP67/IP68	Conract resistangce	≤10MΩ		C	OUTER CONTACT	BRASS	NICKL PLATED	1
Flammability	UL94 V-0	Operation Temperature	-40° C~105° C		D	NUT	BRASS	NICKL PLATED	1
				E	O-RING	EPDM	BLACK	1	

REV.	REVISION RECORD	DATE	GENERAL TOLERANCES		SCALE:	NAME	DATE	PART.NO:	DWG.NO:	 WanLian Technology Co., Ltd	
A0	NEW RELEASE		LINEAR	ANGLES	1:1			M12XXX-03-123	ENDE05		
			0.0±0.35	X°REF±6°	APPROVED						
			UNIT:mm	0.00±0.25	DESIGNER			TITLE:			
			SIZE: A4	0.000±0.10	DRAWN			M12防水 9~17P线端公头 前锁板式PG9/M16 F17T		REV: A0	SHEET: 1/1