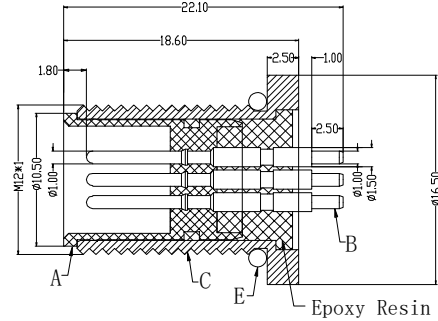
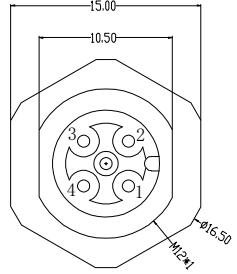


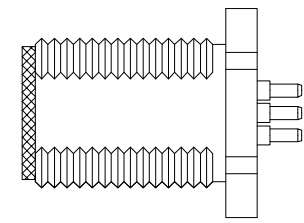
The product using material and processing must conform to the "WL-PZ-001"HSF technical standard control requirements



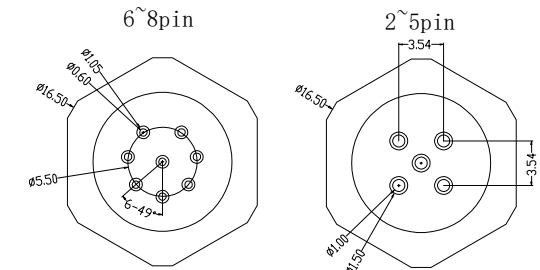
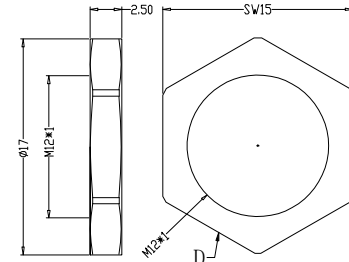
PIN位	2pin	3pin	4pin	5pin	6pin	7pin	8pin
X 值	1.00	1.00	1.00	1.00	0.80	0.80	0.80
A-CODE 图形							
B-CODE 图形							
D-CODE 图形							



Recommended Panel Cut-out



P/N	TITLE
M12A02-03-127	M12防水 A-CODE 2P板端公头 前锁面板式PG9/M16 SW15T-22. 1L
M12A03-03-127	M12防水 A-CODE 3P板端公头 前锁面板式PG9/M16 SW15T-22. 1L
M12A04-03-127	M12防水 A-CODE 4P板端公头 前锁面板式PG9/M16 SW15T-22. 1L
M12A05-03-127	M12防水 A-CODE 5P板端公头 前锁面板式PG9/M16 SW15T-22. 1L
M12A06-03-127	M12防水 A-CODE 6P板端公头 前锁面板式PG9/M16 SW15T-22. 1L
M12A07-03-127	M12防水 A-CODE 7P板端公头 前锁面板式PG9/M16 SW15T-22. 1L
M12A08-03-127	M12防水 A-CODE 8P板端公头 前锁面板式PG9/M16 SW15T-22. 1L
M12B02-03-127	M12防水 B-CODE 2P板端公头 前锁面板式PG9/M16 SW15T-22. 1L
M12B03-03-127	M12防水 B-CODE 3P板端公头 前锁面板式PG9/M16 SW15T-22. 1L
M12B04-03-127	M12防水 B-CODE 4P板端公头 前锁面板式PG9/M16 SW15T-22. 1L
M12B05-03-127	M12防水 B-CODE 5P板端公头 前锁面板式PG9/M16 SW15T-22. 1L
M12D02-03-127	M12防水 D-CODE 2P板端公头 前锁面板式PG9/M16 SW15T-22. 1L
M12D03-03-127	M12防水 D-CODE 3P板端公头 前锁面板式PG9/M16 SW15T-22. 1L
M12D04-03-127	M12防水 D-CODE 4P板端公头 前锁面板式PG9/M16 SW15T-22. 1L



Engagemnr firce	≤50N	Rated volage	2-5pin:60v 6-8PIN:30V	PARTS	MARERIALS	TREATMENT	AMOUNT
Disengagement force	≥5N	Rated current	2-5pin:4A 6-8PIN:2A	A	HOUSING	PA66+GF	SPECIFY COLOR 1
Mechanical lifespan	≥500	Insulation resistance	≥1000MΩ	B	CONTACT	BRASS	GOLD PLATED 2~8
IP rating	IP67/IP68	Conract resistangce	≤10MΩ	C	OUTER CONTACT	BRASS	NICKL PLATED 1
Flammability	UL94 V-0	Operation Temperature	-40° C~105° C	D	NUT	BRASS	NICKL PLATED 1
				E	O-RING	EPDM	BLACK 1

REV.	REVISION RECORD	DATE		GENERAL TOLERANCES		SCALE: 1:1	NAME	DATE	PART.NO: M12XXX-03-127	DWG.NO: ENDE05	
A0	NEW RELEASE	21.11.17		LINEAR	ANGLES	APPROVED					
			UNIT:mm	0.0±0.35	X'REF±6'	DESIGNER			TITLE: M12防水 2~8P板端公头 前锁面板式PG9/M16 SW15T-22. 1L		REV: A0
				0.00±0.25	X'±3'						
			SIZE: A4	0.000±0.10	X'X' ±2'						