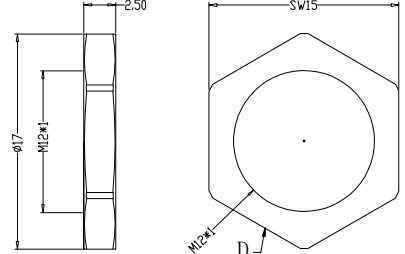
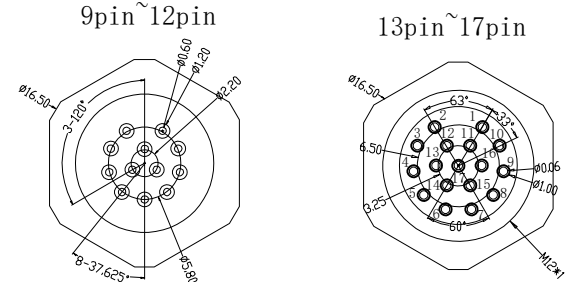
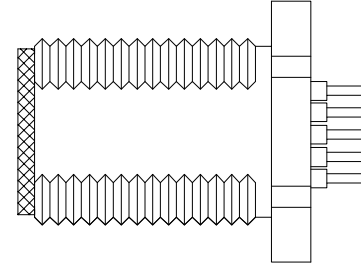
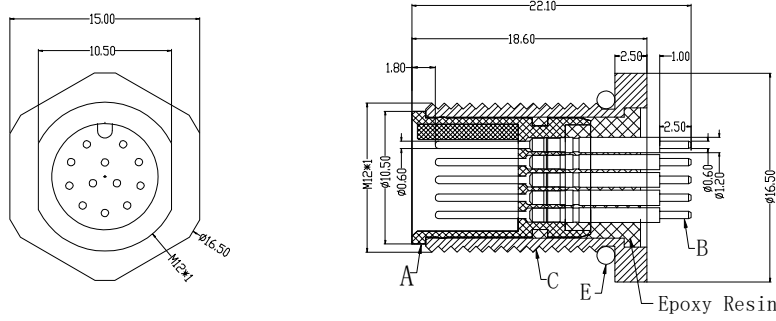
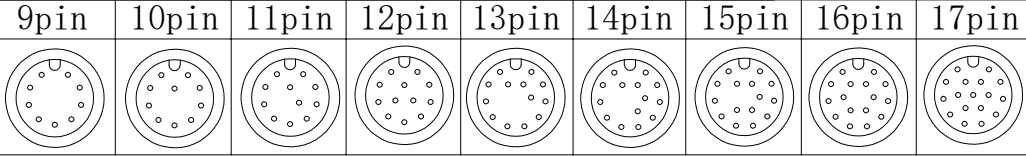


The product using material and processing must conform to the "WL-PZ-001" HSF technical standard control requirements

RoHS



Recommended Panel Cut-out

P/N	TITLE
M12A09-03-130	M12防水 A-CODE 09P板端公头 前锁板式M12 SW15T-22. 1L
M12A10-03-130	M12防水 A-CODE 10P板端公头 前锁板式M12 SW15T-22. 1L
M12A11-03-130	M12防水 A-CODE 11P板端公头 前锁板式M12 SW15T-22. 1L
M12A12-03-130	M12防水 A-CODE 12P板端公头 前锁板式M12 SW15T-22. 1L
M12A13-03-130	M12防水 A-CODE 13P板端公头 前锁板式M12 SW15T-22. 1L
M12A14-03-130	M12防水 A-CODE 14P板端公头 前锁板式M12 SW15T-22. 1L
M12A15-03-130	M12防水 A-CODE 15P板端公头 前锁板式M12 SW15T-22. 1L
M12A16-03-130	M12防水 A-CODE 16P板端公头 前锁板式M12 SW15T-22. 1L
M12A17-03-130	M12防水 A-CODE 17P板端公头 前锁板式M12 SW15T-22. 1L

Engagemer firce	≤50N	Rated volage	30V	A	HOUSING	PA66+GF	SPECIFY COLOR	1
Disengagement force	≥10N	Rated current	1.5A	B	CONTACT	BRASS	GOLD PLATED	9~17
Mechanical lifespan	≥500	Insulation resistance	≥1000MΩ	C	OUTER CONTACT	BRASS	NICKL PLATED	1
IP rating	IP67/IP68	Conract resistangce	≤10MΩ	D	NUT	BRASS	NICKL PLATED	1
Flammability	UL94 V-0	Operation Temperature	-40° C~105° C	E	O-RING	EPDM	BLACK	1

REV.	REVISION RECORD	DATE	UNIT: mm	GENERAL TOLERANCES	SCALE: 1:1	NAME	DATE	PART.NO:	DWG.NO:
A0	NEW RELEASE			LINEAR: 0.0±0.35				M12XXX-03-130	ENDE05
				ANGLES: X°REF±6°	APPROVED				
				0.00±0.25	DESIGNER			TITLE:	
				0.000±0.10	DRAWN			M12防水 9~17板端公头 前锁板式M12 SW15T-22. 1L	



REV: A0 SHEET: 1/1