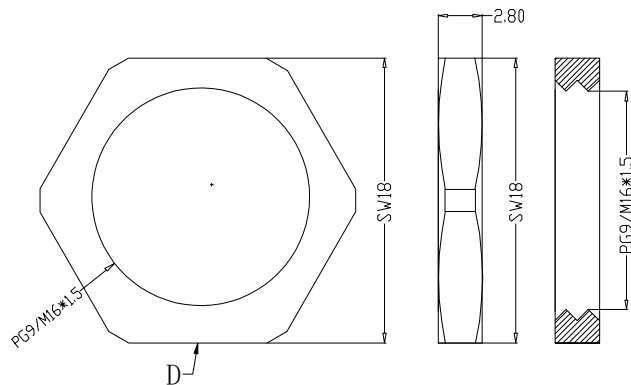
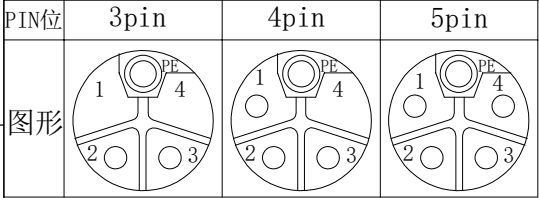
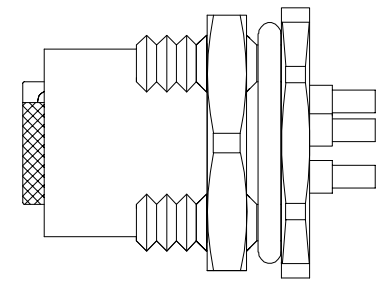
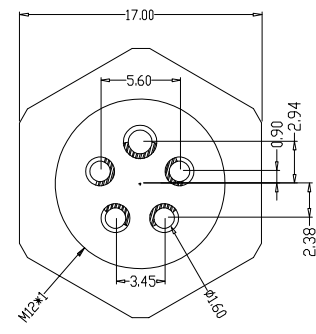
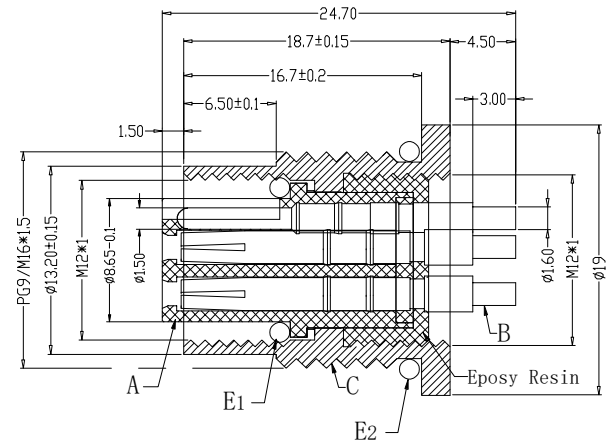
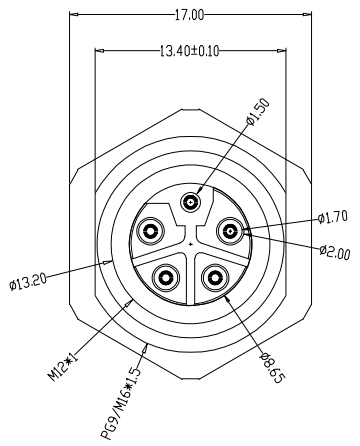
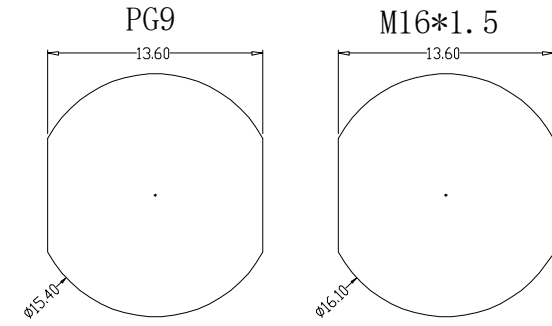


The product using material and processing must conform to the "WL-PZ-001"HSF technical standard control requirements



Recommended Panel Cut-out



组合图

Engagemnr firce	≤50N	Rated voltage	63v	PARTS	MARERIALS	TREATMENT	AMOUNT
Disengagement force	≥10N	Rated current	16A	A HOUSING	PA66+GF	SPECIFY COLOR	1
Mechanical lifespan	≥500	Insulation resistance	≥1000MΩ	B CONTACT	BRASS	GOLD PLATED	3~5
IP rating	IP67/IP68	Conract resistangce	≤10MΩ	C OUTER CONTACT	BRASS	NICKL PLATED	1
Flammability	UL94 V-0	Operation Temperature	-40° C~105° C	D NUT	BRASS	NICKL PLATED	1
				E O-RING	EPDM	BLACK	1

P/N	TITLE
M12L03-04-081	M12防水 3P板端母头 L-CODE 前锁面板式PG9/M16 SW17T-24.7L
M12L04-04-081	M12防水 4P板端母头 L-CODE 前锁面板式PG9/M16 SW17T-24.7L
M12L05-04-081	M12防水 5P板端母头 L-CODE 前锁面板式PG9/M16 SW17T-24.7L

REV.	REVISION RECORD	DATE	GENERAL TOLERANCES		SCALE:	NAME	DATE	PART.NO:	DWG.NO:		
A0	NEW RELEASE	21.11.17	LINEAR	ANGLES	1:1			M12XXX-04-081	ENDE05		
			0.0±0.35	X'REF±6'	APPROVED						
			UNIT:mm	0.00±0.25	DESIGNER			TITLE:			
			SIZE: A4	0.000±0.10	DRAWN			M12防水 板端母头 L-CODE 前锁面板式PG9/M16 SW17T-24.7L		REV: A0	SHEET: 1/1