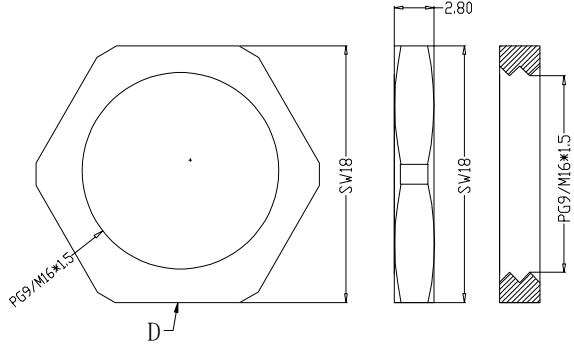
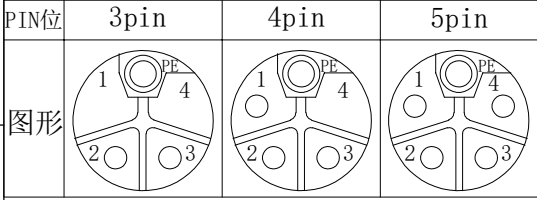
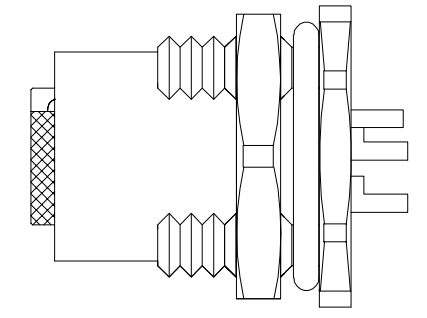
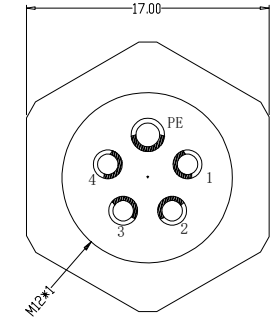
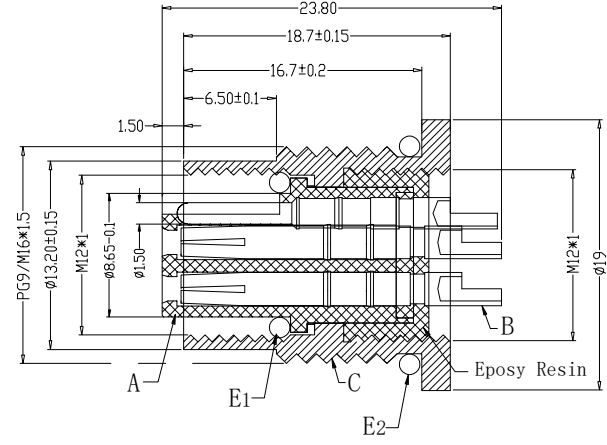
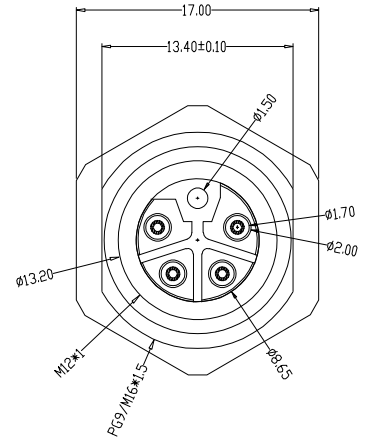
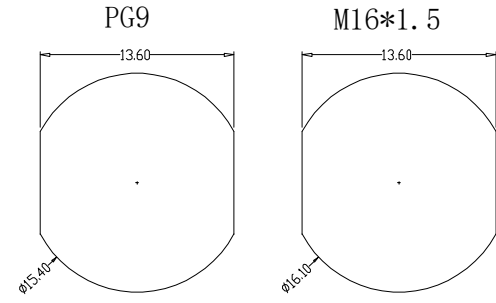


The product using material and processing must conform to the "WL-PZ-001" HSF technical standard control requirements

RoHS



Recommended Panel Cut-out



组合图

Engagemnr firce	≤50N	Rated volage	63v		PARTS	MARERIALS	TREATMENT	AMOUNT	
Disengagement force	≥10N	Rated current	16A		A	HOUSING	PA66+GF	SPECIFY COLOR	1
Mechanical lifespan	≥500	Insulation rirsurance	≥1000MΩ		B	CONTACT	BRASS	GOLD PLATED	3~5
IP rating	IP67/IP68	Conract resistangce	≤10MΩ		C	OUTER CONTACT	BRASS	NICKL PLATED	1
Flammability	UL94 V-0	Operation Temperature	-40° C~105° C		D	NUT	BRASS	NICKL PLATED	1
					E	O-RING	EPDM	BLACK	1

P/N	TITLE
M12L03-04-082	M12防水 3P线端母头 L-CODE 前锁面板式PG9/M16 SW17T
M12L04-04-082	M12防水 4P线端母头 L-CODE 前锁面板式PG9/M16 SW17T
M12L05-04-082	M12防水 5P线端母头 L-CODE 前锁面板式PG9/M16 SW17T

REV.	REVISION RECORD	DATE		GENERAL TOLERANCES		SCALE:	NAME	DATE	PART.NO:	DWG.NO:	 WanLian Technology Co., Ltd
AO	NEW RELEASE	21.11.17		LINEAR	ANGLES	1:1					
			UNIT:mm	0.0±0.35	X°REF±6'	APPROVED			M12XXX-04-082	ENDE05	
			SIZE: A4	0.00±0.25	X°±3'	DESIGNER			TITLE:		
				0.000±0.10	X°X' ±2'	DRAWN			M12防水 线端母头 L-CODE 前锁面板式PG9/M16 SW17T		REV: AO SHEET: 1/1