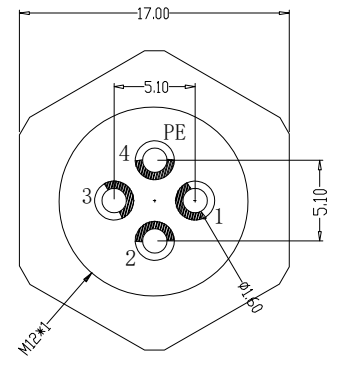
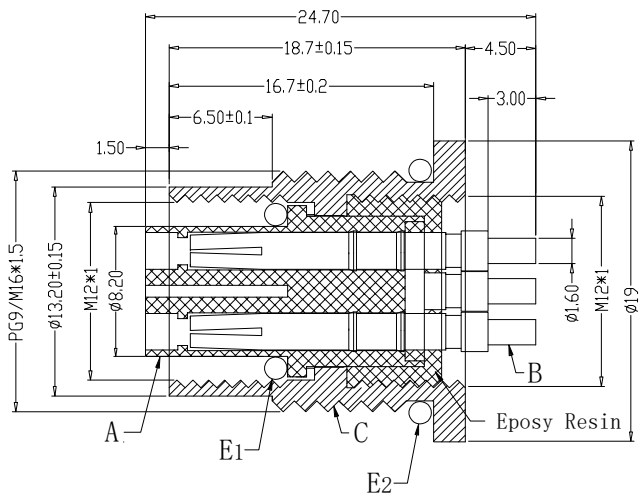
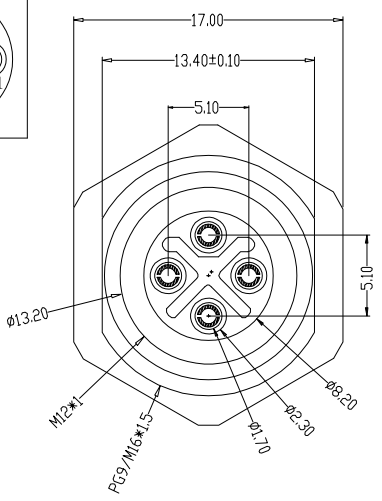
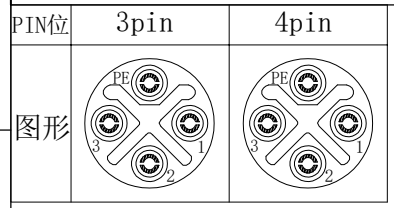
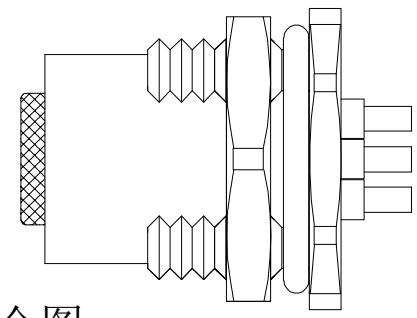
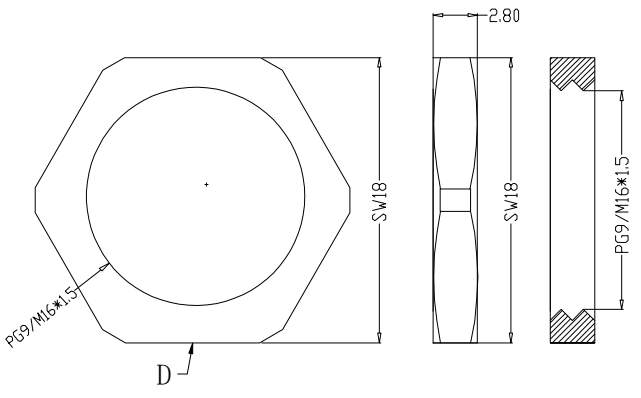


The product using material and processing must conform to the "WL-PZ-001" HSF technical standard control requirements

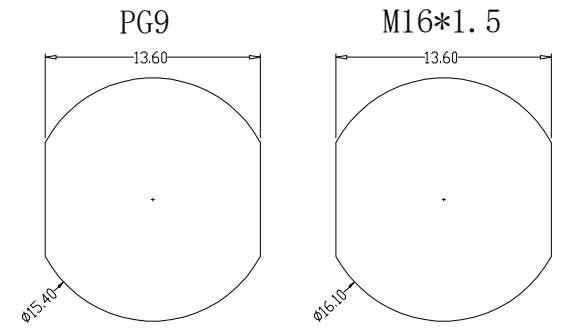
RoHS



Recommended Panel Cut-out



组合图



Engagemr firce	≤50N	Rated volage	630V	PARTS	MARERIALS	TREATMENT	AMOUNT
Disengagement force	≥10N	Rated current	12A	A	HOUSING	PA66+GF	SPECIFY COLOR
Mechanical lifespan	≥500	Insulation rirsurance	≥1000MΩ	B	CONTACT	BRASS	GOLD PLATED
IP rating	IP67/IP68	Conrtract resistangce	≤10MΩ	C	OUTER CONTACT	BRASS	NICKL PLATED
Flammability	UL94 V-0	Operation Temperature	-40° C~105° C	D	NUT	BRASS	NICKL PLATED
				E	O-RING	EPDM	BLACK

P/N	TITLE
M12S03-04-086	M12防水 3P线端母头 S-CODE 前锁面板式PG9/M16 SW17T
M12S04-04-086	M12防水 4P线端母头 S-CODE 前锁面板式PG9/M16 SW17T

REV.	REVISION RECORD	DATE	GENERAL TOLERANCES	SCALE:	NAME	DATE	PART.NO:	DWG.NO:	 WanLian Technology Co., Ltd
AO	NEW RELEASE	21.11.17	LINEAR	1:1			M12XXX-04-086	ENDE05	
			ANGLES	APPROVED					
			0.0±0.35	DESIGNER			TITLE:		
			X'REF±6'	DRAWN			M12防水 线端母头 S-CODE 前锁面板式PG9/M16 SW17T		REV: AO
			UNIT:mm						SHEET: 1/1
			0.00±0.25						
			X'±3'						
			0.000±0.10						
			X'X' ±2'						