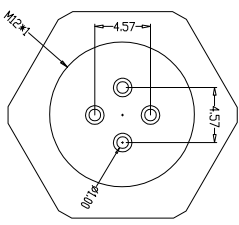
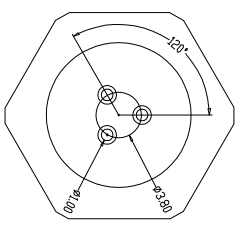
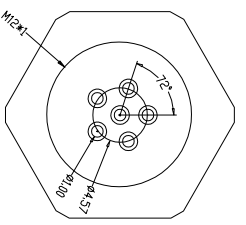
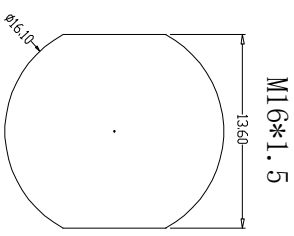
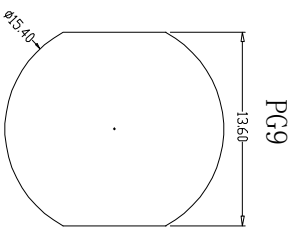
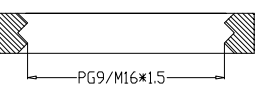
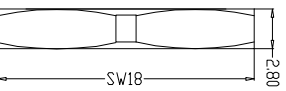
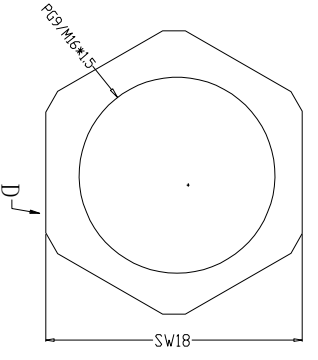
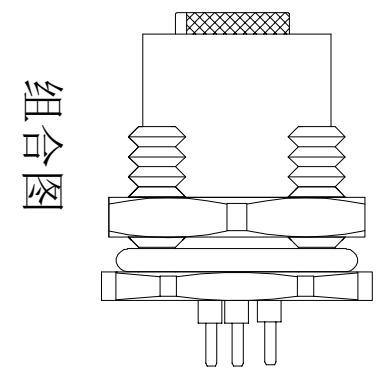
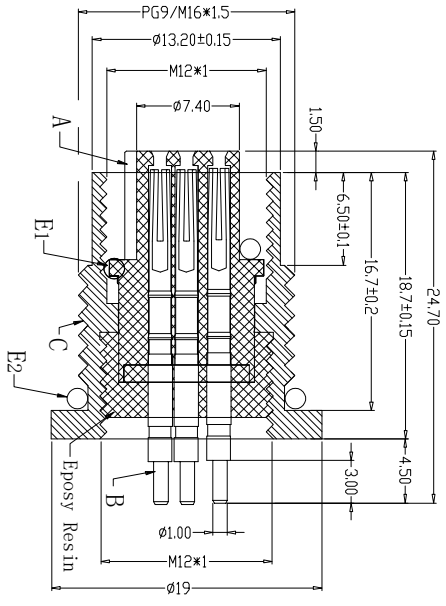
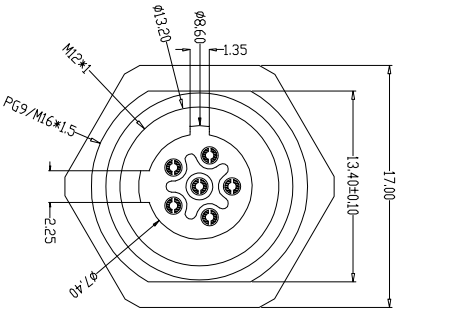
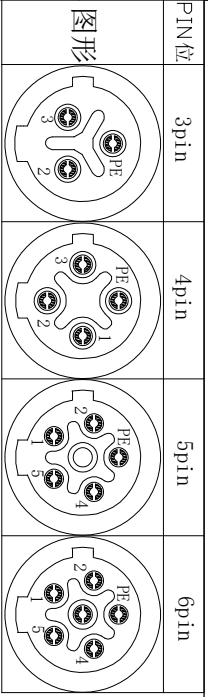


The product using material and processing must conform to the "WL-PZ-001"HSF technical standard control requirements



Recommended Panel Cut-out

Engagement force	≤50N	Rated voltage	3-4pin:250v 5pin:60v 6pin:30v	PARTS	MATERIALS	TREATMENT	AMOUNT
Disengagement force	≥10N	Rated current	3-4pin:4A 5-6pin:2A	A HOUSING	PA66+GF	SPECIFY COLOR	1
Mechanical Lifespan	≥500	Insulation resistance	≥1000MΩ	B CONTACT	BRASS	GOLD PLATED	3*6
IP rating	IP67/IP68	Contract resistance	≤10MΩ	C OUTER CONTACT	BRASS	NICKL PLATED	1
Flammability	UL94 V-0	Operation Temperature	-40° C~105° C	D NUT	BRASS	NICKL PLATED	1
				E O-RING	EPDM	BLACK	2

P/N	TITLE	Engagement force	Disengagement force	Mechanical Lifespan	IP rating	Flammability	GENERAL TOLERANCES	SCALE:	NAME	DATE	PART.NO:	DWG.NO:	REV:	SHEET:
M12C03-04-087	M12防水 3P板端母头 C-CODE 前锁面板式PG9/M16 SW17T/24. 7L	≤50N	≥10N	≥500	IP67/IP68	UL94 V-0	LINEAR 0.0±0.35	1:1			M12XXX-04-087	ENDE05	AO	1/1
M12C04-04-087	M12防水 4P板端母头 C-CODE 前锁面板式PG9/M16 SW17T/24. 7L						ANGLES X'REF±6°	APPROVED						
M12C05-04-087	M12防水 5P板端母头 C-CODE 前锁面板式PG9/M16 SW17T/24. 7L						X'±3'	DESIGNER						
M12C06-04-087	M12防水 6P板端母头 C-CODE 前锁面板式PG9/M16 SW17T/24. 7L						SIZE: A4 0.000±0.10	DRAWN						
REV.	REVISION RECORD	DATE	GENERAL TOLERANCES		SCALE:		NAME		DATE		PART.NO:		DWG.NO:	
AO	NEW RELEASE	21.11.17	LINEAR		1:1						M12XXX-04-087		ENDE05	
TITLE: M12防水 板端母头 C-CODE 前锁面板式PG9/M16 SW17T/24. 7L												Wanlian Technology Co., Ltd		



Wanlian Technology Co., Ltd