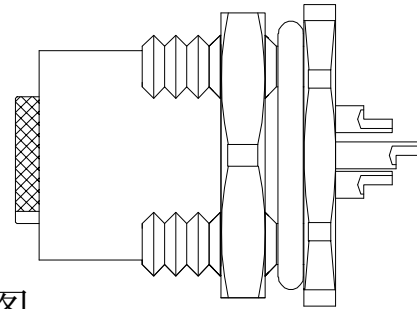
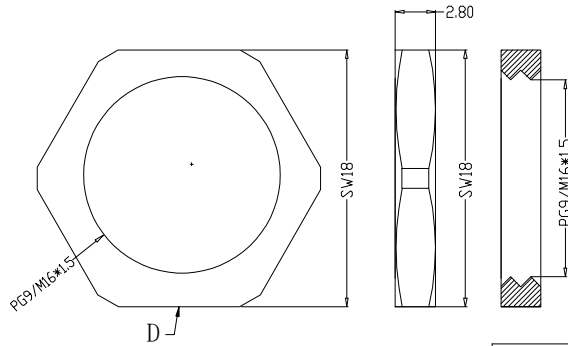
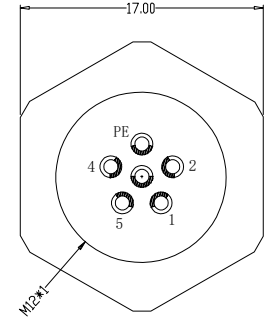
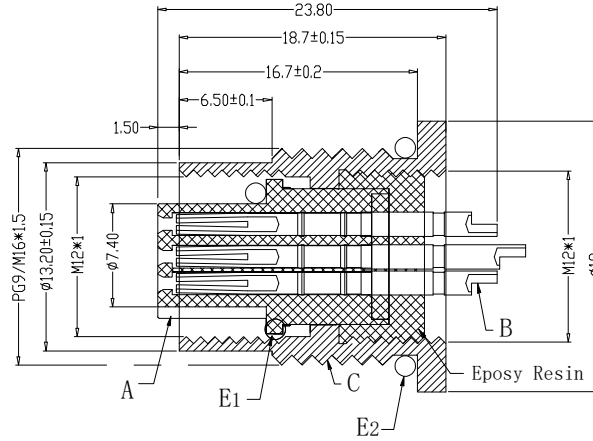
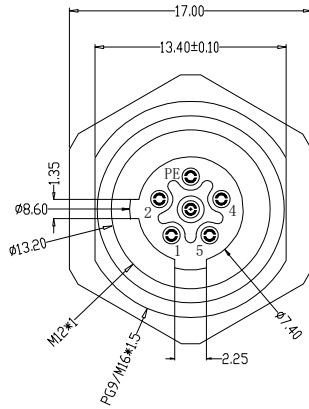
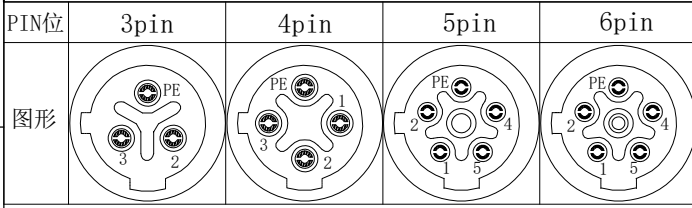


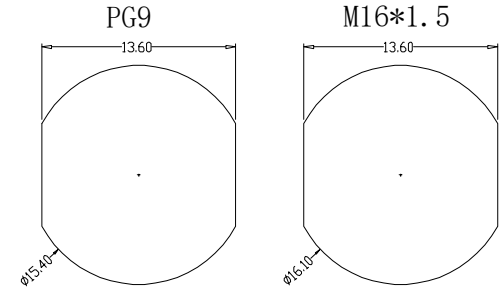
The product using material and processing must conform to the "WL-PZ-001"HSF technical standard control requirements

RoHS



组合图

Recommended Panel Cut-out



Engagemer force	≤50N	Rated voltage	3-4pin:250v 5pin:60v 6pin:30v	PARTS	MARERIALS	TREATMENT	AMOUNT
Disengagement force	≥10N	Rated current	3-4pin:4A 5-6pin:2A	A	HOUSING	PA66+GF	SPECIFY COLOR
Mechanical lifespan	≥500	Insulation resistance	≥1000MΩ	B	CONTACT	BRASS	GOLD PLATED
IP rating	IP67/IP68	Conract resistangce	≤10MΩ	C	OUTER CONTACT	BRASS	NICKL PLATED
Flammability	UL94 V-0	Operation Temperature	-40° C~105° C	D	NUT	BRASS	NICKL PLATED
				E	O-RING	EPDM	BLACK

P/N	TITLE
M12C03-04-088	M12防水 3P板端母头 C-CODE 前锁面板式PG9/M16 SW17T
M12C04-04-088	M12防水 4P板端母头 C-CODE 前锁面板式PG9/M16 SW17T
M12C05-04-088	M12防水 5P板端母头 C-CODE 前锁面板式PG9/M16 SW17T
M12C06-04-088	M12防水 6P板端母头 C-CODE 前锁面板式PG9/M16 SW17T

REV.	REVISION RECORD	DATE	UNIT:mm	SIZE: A4
AO	NEW RELEASE	21.11.17		

GENERAL TOLERANCES	
LINEAR	ANGLES
0.0±0.35	X'REF±6°
0.00±0.25	X'±3'
0.000±0.10	X'X' ±2'

SCALE: 1:1	NAME	DATE
APPROVED		
DESIGNER		
DRAWN		

PART.NO:	DWG.NO:
M12XXX-04-088	ENDE05
TITLE:	
M12防水 板端母头 C-CODE 前锁面板式 PG9/M16 SW17T	

REV: AO	SHEET: 1/1
---------	------------

WanLian Technology Co., Ltd

REV: AO SHEET: 1/1