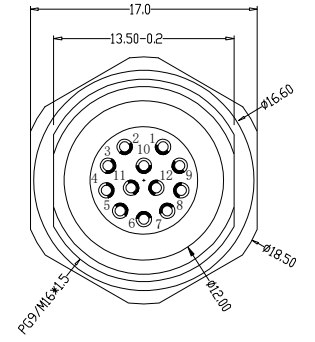
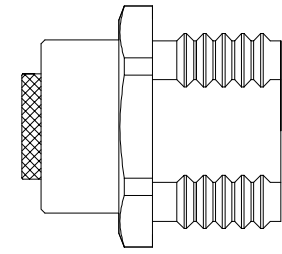
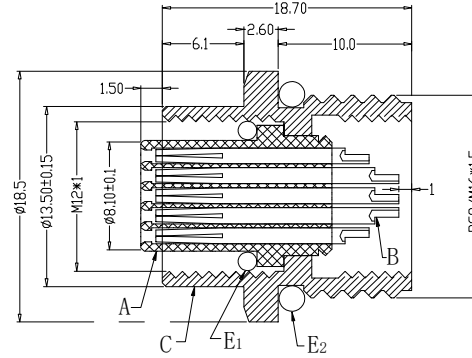
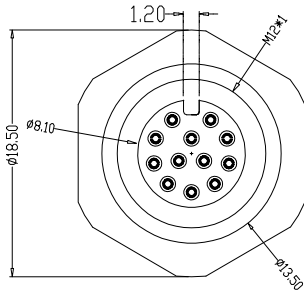
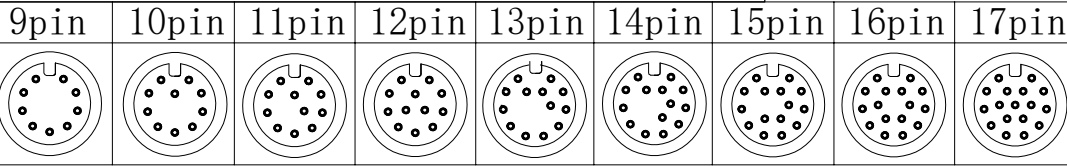
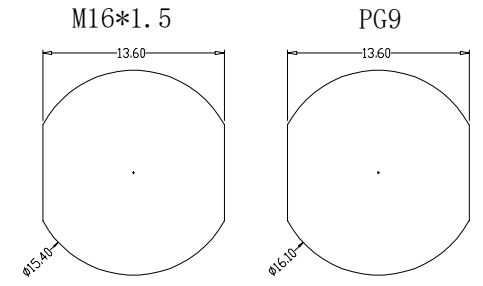
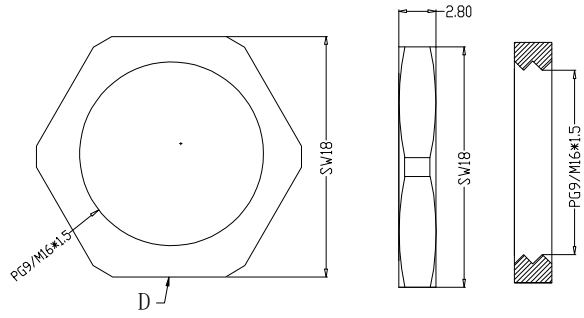


The product using material and processing must conform to the "WL-PZ-001" HSF technical standard control requirements

RoHS



Recommended Panel Cut-out



P/N	TITLE
M12A09-04-094	M12防水 A-CODE 9P线端母头 后锁面板式PG9/M16 SW17T后灌胶
M12A10-04-094	M12防水 A-CODE 10P线端母头 后锁面板式PG9/M16 SW17T后灌胶
M12A11-04-094	M12防水 A-CODE 11P线端母头 后锁面板式PG9/M16 SW17T后灌胶
M12A12-04-094	M12防水 A-CODE 12P线端母头 后锁面板式PG9/M16 SW17T后灌胶
M12A13-04-094	M12防水 A-CODE 13P线端母头 后锁面板式PG9/M16 SW17T后灌胶
M12A14-04-094	M12防水 A-CODE 14P线端母头 后锁面板式PG9/M16 SW17T后灌胶
M12A15-04-094	M12防水 A-CODE 15P线端母头 后锁面板式PG9/M16 SW17T后灌胶
M12A16-04-094	M12防水 A-CODE 16P线端母头 后锁面板式PG9/M16 SW17T后灌胶
M12A17-04-094	M12防水 A-CODE 17P线端母头 后锁面板式PG9/M16 SW17T后灌胶

Engagement force	≤50N	Rated voltage	30V DC	PARTS	MARERIALS	TREATMENT	AMOUNT		
Disengagement force	≥10N	Rated current	1.5A		A	HOUSING	PA66+GF	SPECIFY COLOR	1
Mechanical lifespan	≥500	Insulation resistance	≥1000MΩ		B	CONTACT	BRASS	GOLD PLATED	9~17
IP rating	IP67/IP68	Conract resistangce	≤10MΩ		C	OUTER CONTACT	BRASS	NICKL PLATED	1
Flammability	UL94 V-0	Operation Temperature	-40° C~105° C		D	NUT	BRASS	NICKL PLATED	1
				E	O-RING	EPDM	BLACK	2	

REV.	REVISION RECORD	DATE	GENERAL TOLERANCES	SCALE:	NAME	DATE	PART.NO:	DWG.NO:
A0	NEW RELEASE	21.11.17	LINEAR 0.0±0.35	1:1			M12XXX-04-094	ENDE05
			ANGLES X°REF±6°	APPROVED				
			UNIT:mm 0.00±0.25	DESIGNER			TITLE: M12防水 9~17线端母头 后锁面板式PG9/M16 SW17T后灌胶	
			SIZE: A4 0.000±0.10	DRAWN				REV: A0 SHEET: 1/1

