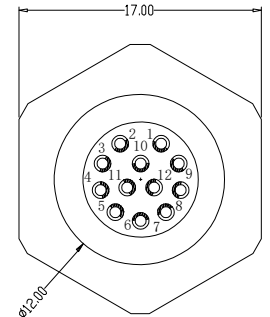
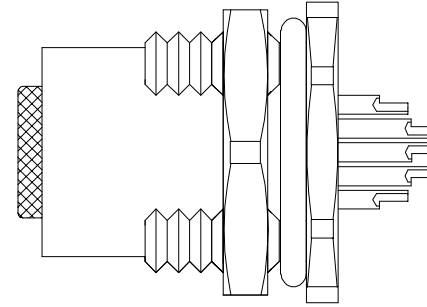
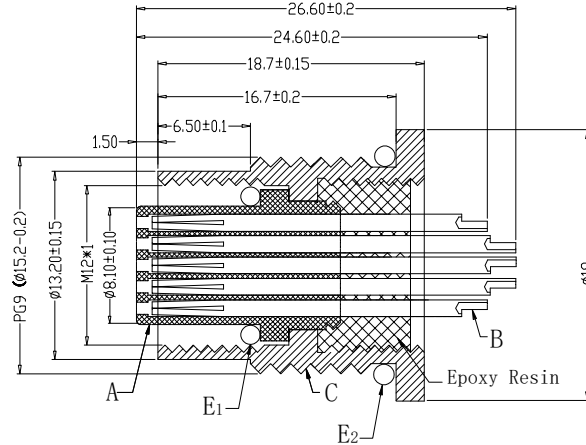
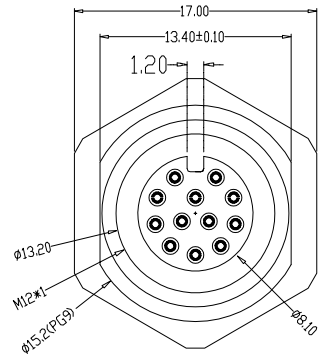
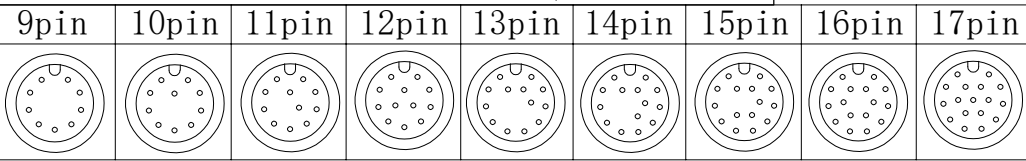


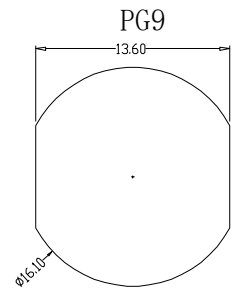
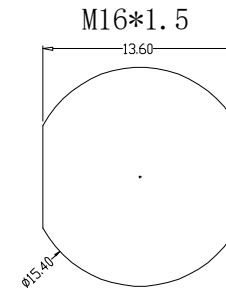
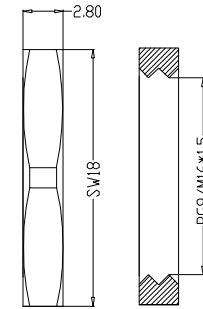
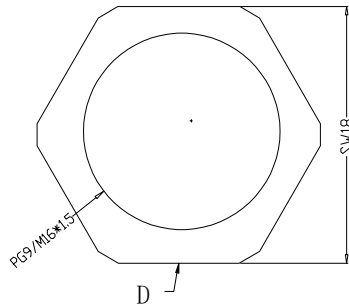
The product using material and processing must conform to the "WL-PZ-001" HSF technical standard requirements

RoHS



组合图

Recommended Panel Cut-out



P/N	TITLE
M12A09-04-097	M12防水 09P线端母头 A-CODE 前锁面板式M12 SW17T
M12A10-04-097	M12防水 10P线端母头 A-CODE 前锁面板式M12 SW17T
M12A11-04-097	M12防水 11P线端母头 A-CODE 前锁面板式M12 SW17T
M12A12-04-097	M12防水 12P线端母头 A-CODE 前锁面板式M12 SW17T
M12A13-04-097	M12防水 13P线端母头 A-CODE 前锁面板式M12 SW17T
M12A14-04-097	M12防水 14P线端母头 A-CODE 前锁面板式M12 SW17T
M12A15-04-097	M12防水 15P线端母头 A-CODE 前锁面板式M12 SW17T
M12A16-04-097	M12防水 16P线端母头 A-CODE 前锁面板式M12 SW17T
M12A17-04-097	M12防水 17P线端母头 A-CODE 前锁面板式M12 SW17T

Engagement force	≤50N	Rated voltage	30V	A	HOUSING	PA66+GF	SPECIFY COLOR	1
Disengagement force	≥10N	Rated current	1.5A	B	CONTACT	BRASS	GOLD PLATED	9~17
Mechanical lifespan	≥500	Insulation resistance	≥1000MΩ	C	OUTER CONTACT	BRASS	NICKL PLATED	1
IP rating	IP67/IP68	Contact resistance	≤10MΩ	D	NUT	BRASS	NICKL PLATED	1
Flammability	UL94 V-0	Operation Temperature	-40° C~105° C	E	O-RING	EPDM	BLACK	2

REV.	REVISION RECORD	DATE	GENERAL TOLERANCES	SCALE:	NAME	DATE	PART.NO:	DWG.NO:
A0	NEW RELEASE		LINEAR	1:1			M12XXX-04-097	ENDE05
			ANGLES					
			0.0±0.35		APPROVED			
			X'REF ±6°		DESIGNER		TITLE:	
			UNIT:mm		DRAWN		M12防水 9~17P线端母头 前锁面板式M12 SW17T	
			0.00±0.25					REV: A0
			X' ±3'					SHEET: 1/1
			0.000±0.10					
			X'X' ±2'					

