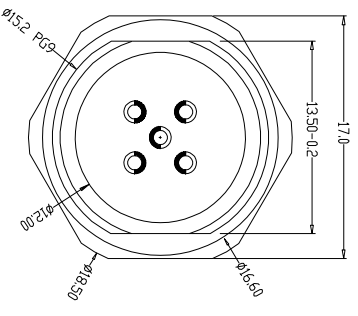
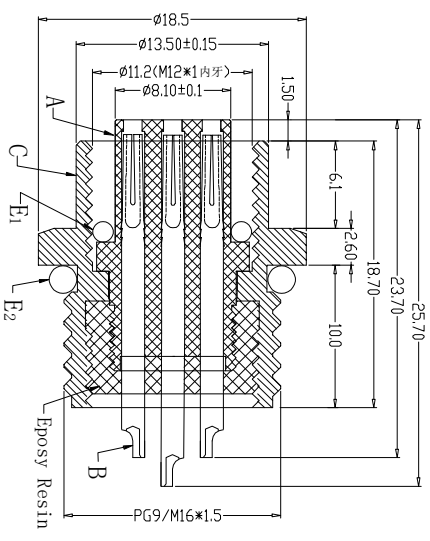
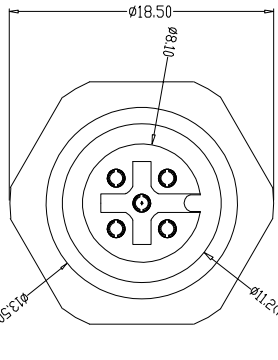
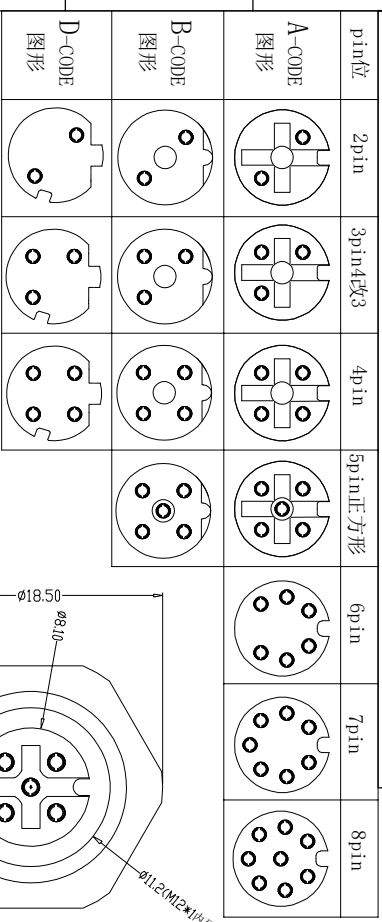
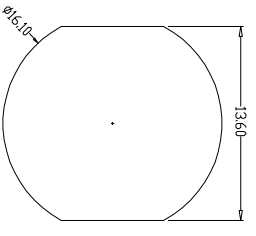
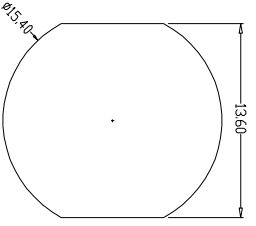
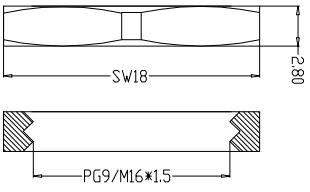
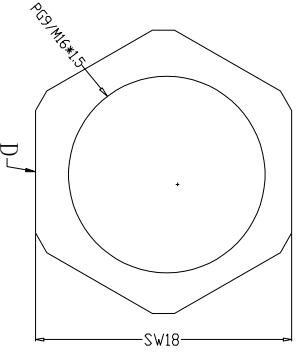


The product using material and processing must conform to the "WL-PZ-001"HSF technical standard control requirements



Recommended Panel Cut-out



P/N	TITLE	Engagement force	Rated voltage	Rated current	Insulation resistance	Contract resistance	IP rating	Flammability	Operation Temperature	PARTS	MATERIALS	TREATMENT	AMOUNT
M12A02-04-098	M12防水 A-CODE 2P线端母头 后锁面板PG9/M16 SW17T	≤50N	2-5pin: 60V 6-8pin: 30V	A	HOUSING	PA66+GF	SPECIFY COLOR	1					
M12A03-04-098	M12防水 A-CODE 3P线端母头 后锁面板PG9/M16 SW17T	≥5N	Rated current	B	CONTACT	BRASS	GOLD PLATED	2*8					
M12A04-04-098	M12防水 A-CODE 4P线端母头 后锁面板PG9/M16 SW17T	≥500	Insulation resistance	C	OUTER CONTACT	BRASS	NICKL. PLATED	1					
M12A05-04-098	M12防水 A-CODE 5P线端母头 后锁面板PG9/M16 SW17T	≥10MΩ	Contract resistance	D	NUT	BRASS	NICKL. PLATED	1					
M12A06-04-098	M12防水 A-CODE 6P线端母头 后锁面板PG9/M16 SW17T	UL94 V-0	Operation Temperature	E	O-RING	EPDM	BLACK	2					
M12A07-04-098	M12防水 A-CODE 7P线端母头 后锁面板PG9/M16 SW17T												
M12A08-04-098	M12防水 A-CODE 8P线端母头 后锁面板PG9/M16 SW17T												
M12B02-04-098	M12防水 B-CODE 2P线端母头 后锁面板PG9/M16 SW17T												
M12B03-04-098	M12防水 B-CODE 3P线端母头 后锁面板PG9/M16 SW17T												
M12B04-04-098	M12防水 B-CODE 4P线端母头 后锁面板PG9/M16 SW17T												
M12B05-04-098	M12防水 B-CODE 5P线端母头 后锁面板PG9/M16 SW17T												
M12D02-04-098	M12防水 D-CODE 2P线端母头 后锁面板PG9/M16 SW17T												
M12D03-04-098	M12防水 D-CODE 3P线端母头 后锁面板PG9/M16 SW17T												
M12D04-04-098	M12防水 D-CODE 4P线端母头 后锁面板PG9/M16 SW17T												

REV.	REVISION RECORD	DATE	GENERAL TOLERANCES		SCALE:	NAME	DATE	PART.NO.:	DWG.NO.:	TITLE:		REV:	SHEET:
AO	NEW RELEASE	21.11.17	LINEAR	ANGLES	1:1			M12XXX-04-098	ENDE05	M12防水 2~8P线端母头 后锁面板PG9/M16 SW17T		AO	1/1
			0.0±0.35	X'REF±6°	APPROVED					Wanlian Technology Co., Ltd			
			0.00±0.25	X'±3'	DESIGNER					Wanlian Technology Co., Ltd			
			SIZE: A4	X'X' ±2'	DRAWN					Wanlian Technology Co., Ltd			