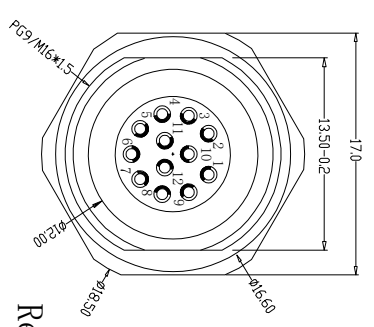
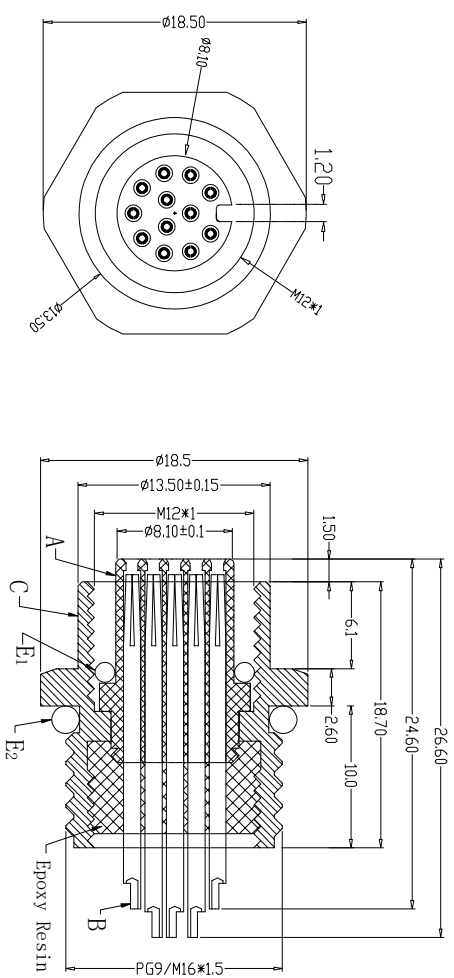
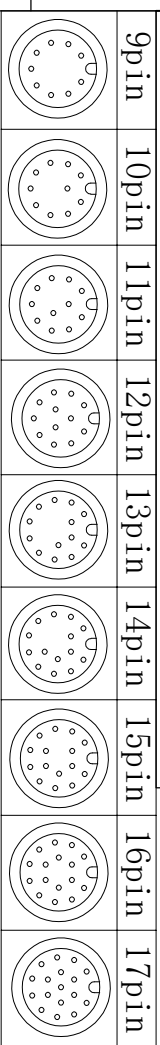
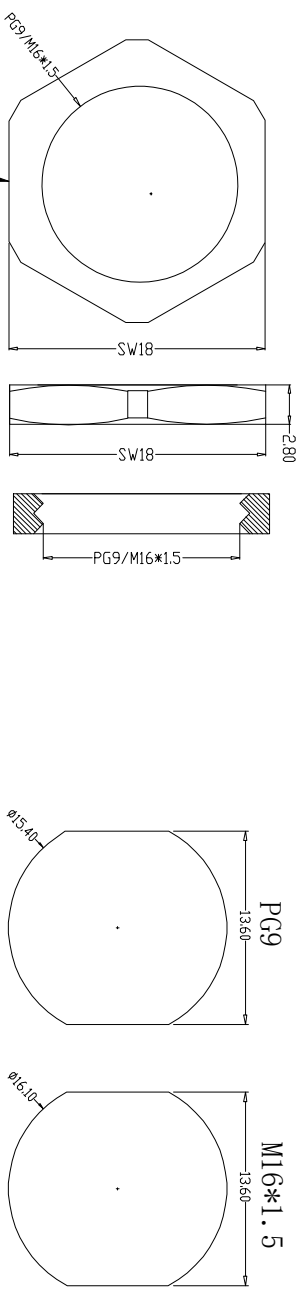


The product using material and processing must conform to the "WL-PZ-001"HSF technical standard control requirements



Recommended Panel Cut-out



P/N	TITLE	Engagement force	Rated voltage	Rated current	Insulation resistance	Contract resistance	Operation Temperature	PARTS	MATERIALS	TREATMENT	AMOUNT
M12A09-04-099	M12防水 A-CODE 9P线端母头 后锁板式PG9/M16 SW17T	≤50N	30V	1.5A	≥1000MΩ	≤10MΩ	-40° C~105° C	A HOUSING	PA66+GF	SPECIFY COLOR	1
M12A10-04-099	M12防水 A-CODE 10P线端母头 后锁板式PG9/M16 SW17T	≥10N						B CONTACT	BRASS	GOLD PLATED	9~17
M12A11-04-099	M12防水 A-CODE 11P线端母头 后锁板式PG9/M16 SW17T	≥500						C OUTER CONTACT	BRASS	NICKL. PLATED	1
M12A12-04-099	M12防水 A-CODE 12P线端母头 后锁板式PG9/M16 SW17T	IP rating						D NUT	BRASS	NICKL. PLATED	1
M12A13-04-099	M12防水 A-CODE 13P线端母头 后锁板式PG9/M16 SW17T	Flammability						E O-RING	EPPM	BLACK	2

REV.	REVISION RECORD	DATE	GENERAL TOLERANCES	SCALE:	NAME	DATE	PART.NO:	DWG.NO:
AO	NEW RELEASE		LINEAR 0.0±0.35	1:1			M12XXX-04-099	ENDE05
			ANGLES X'REF±6°	APPROVED				
			UNIT:mm 0.00±0.25	X'±3°	DESIGNER		TITLE: M12防水 9~17P线端母头 后锁板式PG9/M16 SW17T	
			SIZE:A4 0.000±0.10	X'X'±2°	DRAWN			
1								
2								
3								
4								
5								
6								
7								
8								



Wanlian Technology Co., Ltd

REV: AO SHEET: 1/1