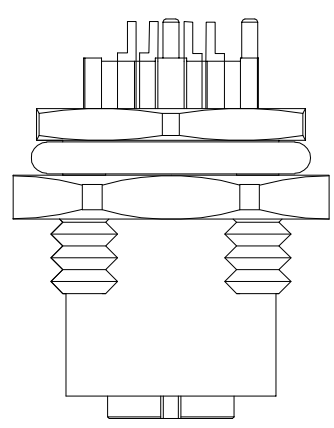
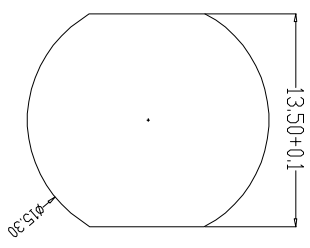


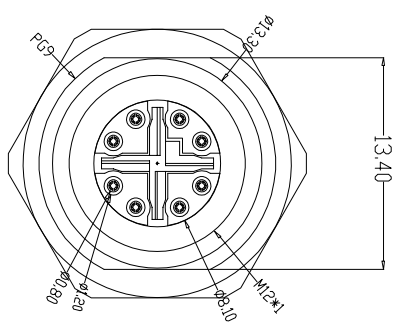
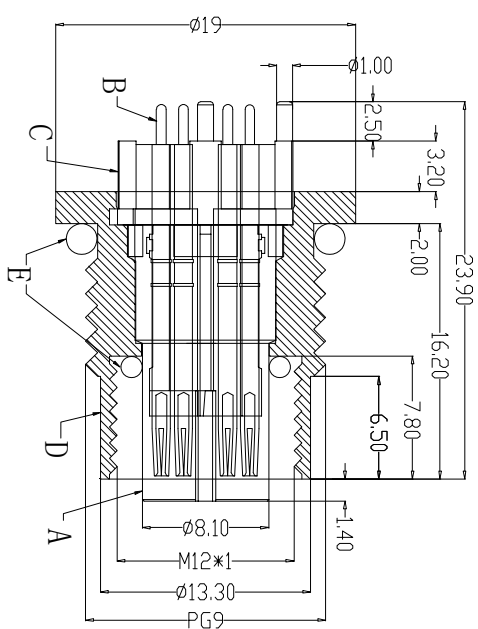
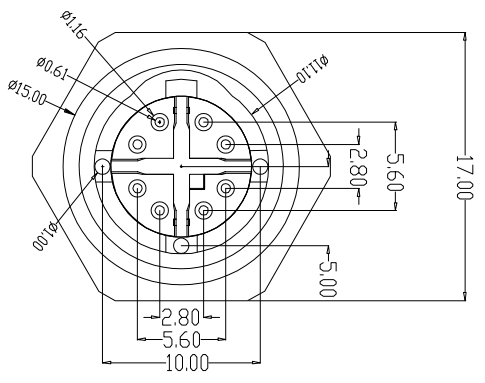
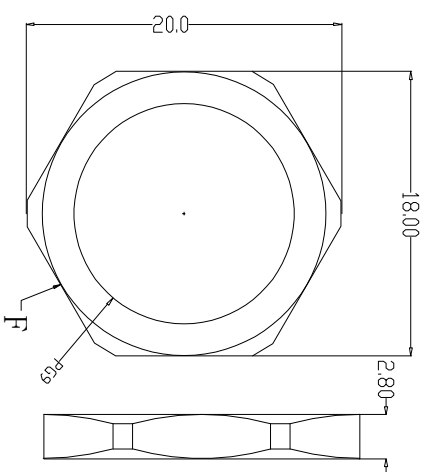
The product using material and processing must conform to the "WL-PZ-001"HSF technical standard control requirements



Recommended Panel Cut-out



组合图



P/N	TITLE	
M12X08-04-105	M12防水 8P板端母头 X-CODE 前锁面板式PG9 Y-CJ款	

Engagement force	≤50N	Rated voltage	48V
Disengagement force	≥10N	Rated current	0.5A
Mechanical lifespan	≥500	Insulation resistance	≥1000MΩ
IP rating	IP67/IP68	Contact resistance	≤10MΩ
Flammability	UL94 V-0	Operation Temperature	-40° C~105° C

PARTS	MATERIALS	TREATMENT	AMOUNT
A HOUSING	PA66+GF	SPECIFY COLOR	1
B CONTACT	BRONZE	GOLD PLATED	8
C CUTTER CONTACT	ZINCALLOY	NICKEL PLATED	1
D BFIELD	EPPM	NICKEL PLATED	1
E O-RING	EPPM	BLACK	2
F NUT	BRASS	NICKEL PLATED	1

REV.	REVISION RECORD	DATE	UNIT:mm	SIZE: A4
AO	NEW RELEASE	21.11.17	0.00±0.25	0.000±0.10

GENERAL TOLERANCES	SCALE: 1:1	NAME	DATE
LINEAR	APPROVED		
ANGLES	DESIGNER		
0.0±0.35	DRAWN		
X'REF±6°			
X'±3'			
X'X'±2'			

PART.NO:	M12XXX-04-105
TITLE:	M12防水 8P板端母头 X-CODE 前锁面板式PG9 SW17T

DWG.NO: ENDE05
   
 REV: AO
   
 SHEET: 1/1