

The product using material and processing must conform to the "WL-PZ-001"HSF technical standard control requirements

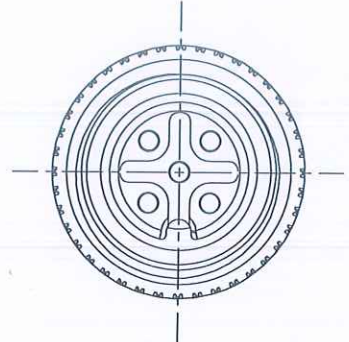
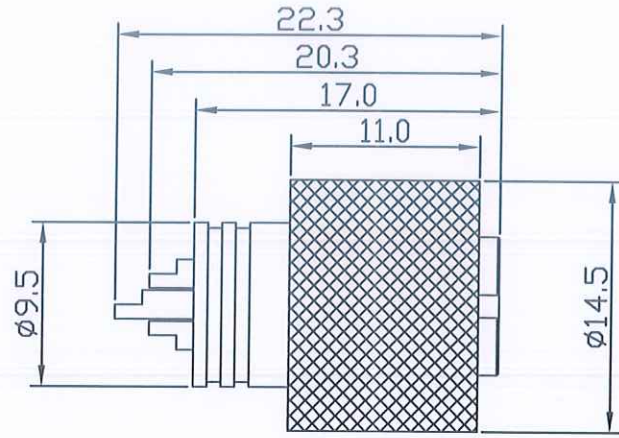
芯数	3	4	5	6	8
图形					
适配线缆 (AWG)	22	22	22	24	24
导体直径 (mm)	1.0	1.0	1.0	0.8	0.8
额定电流 (A)	4	4	4	2	2
额定电压 (V)	250	250	60	30	30
绝缘电阻 (MΩ)	≥1000	≥1000	≥1000	≥1000	≥1000
接触电阻 (mΩ)	≤10	≤10	≤10	≤10	≤10

技术特性

1. 寿命: >500 mate/unmate cycles
2. 温度等级: -25°C~+80°C
3. 盐雾: >48h
4. 防水等级: IP67

材料规格

E	密封圈	Rubber	镀镍	Pcs	1
D	屏蔽壳	黄铜	镀镍	Pcs	1
C	外壳	黄铜	镀镍	Pcs	1
B	接触体材质	磷铜	镀金	Pcs	3~17
A	绝缘体材质	PA尼龙	黑色	Pcs	1
No.	Specification	Material	Treat	Unit	Q'ty



REV.	REVISION RECORD	DATE
AO	NEW RELEASE	21.11.17

GENERAL TOLERANCES	
LINEAR	ANGLES
0.0±0.35	X'REF±6'
UNIT:mm	0.00±0.25
SIZE: A4	0.000±0.10
	X'X' ±2'

SCALE: 1:1	NAME: 万连科技	DATE: 2021.11.17	PART NO: M12XXX-04-111
APPROVED: [Signature]	DESIGNER: [Signature]		
DESIGNER: [Signature]	TITLE: M12防水3~8芯 线端母头 屏蔽款+11L网纹螺母		
DRAWN: [Signature]			

万连科技

 WanLian Technology Co., Ltd

REV: AO SHEET: 1/1