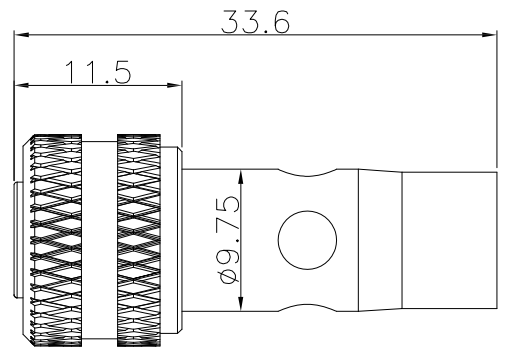
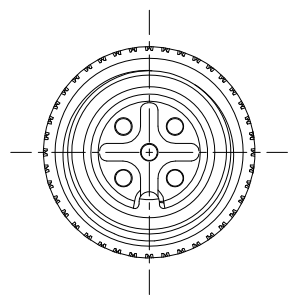


The product using material and processing must conform to the "WL-PZ-001"HSF technical standard control requirements

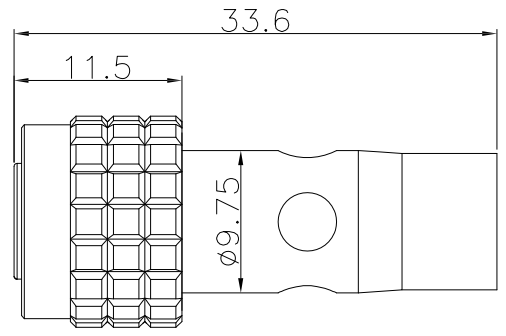
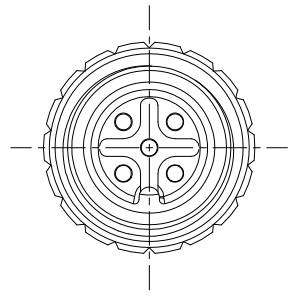
A	芯数	3	4	5	6	8	12	17
	图形							
B	适配线缆(AWG)	22	22	22	24	24	26	26
	导体直径(mm)	1.0	1.0	1.0	0.8	0.8	0.6	0.6
	额定电流(A)	4	4	4	2	2	1	1
	额定电压(V)	250	250	60	30	30	30	30
C	绝缘电阻(MΩ)	≥1000	≥1000	≥1000	≥1000	≥1000	≥1000	≥1000
	接触电阻(mΩ)	≤10	≤10	≤10	≤10	≤10	≤10	≤10



- 技术特性**
1. 寿命: >500 mate/unmate cycles
 2. 温度等级: -25℃~+80℃
 3. 盐雾: >48h
 4. 防水等级: IP67

材料规格

E	密封圈	Rubber	镀镍	Pcs	1	
D	屏蔽壳	铆铜	镀镍	Pcs	1	
C	外壳	黄铜	镀镍	Pcs	1	
B	接触体材质	磷铜	镀金	Pcs	3~17	
A	绝缘体材质	PA尼龙	黑色	Pcs	1	
G	No.	Specification	Material	Treat	Unit	Q'ty



H	REV.	REVISION RECORD	DATE		GENERAL TOLERANCES		SCALE: 1:1	NAME	DATE	PART.NO:	DWG.NO:	 WanLian Technology Co., Ltd
	AO	NEW RELEASE	21.11.17		LINEAR	ANGLES	APPROVED			M12XXX-04-223	ENDE05	
					0.0±0.35	X'REF±6°	DESIGNER			TITLE:		
					UNIT:mm	0.00±0.25	X'±3°	DRAWN			M12防水3~17芯 线端母头 屏蔽长款	
			SIZE: A4	0.000±0.10	X'X' ±2°					REV: A0	SHEET: 1/1	