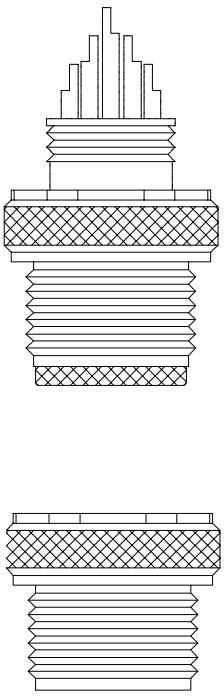
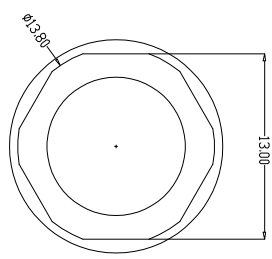
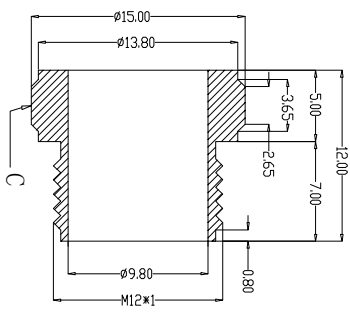
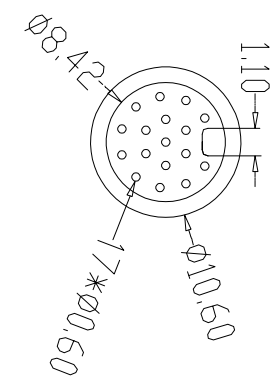
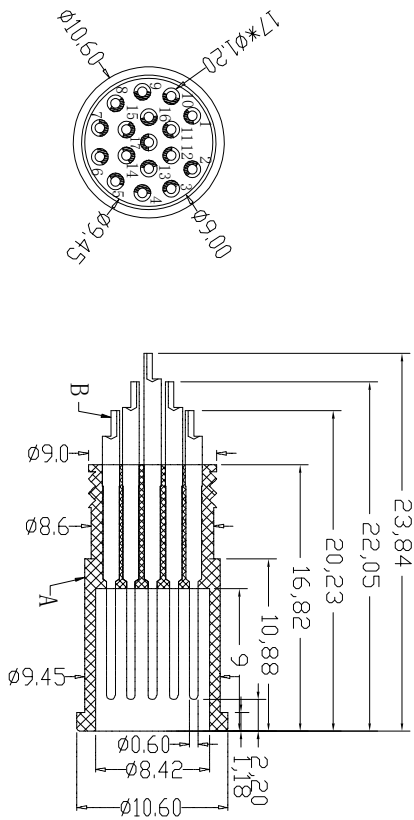
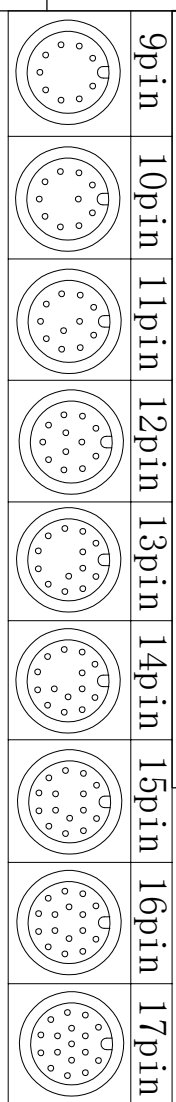


The product using material and processing must conform to the "WL-PZ-001"HSF technical standard control requirements



组合图

P/N	TITLE	Engagement force	Rated voltage	30V	PARTS	MATERIALS	TREATMENT	AMOUNT
M12A09-07-071	M12防水 A-CODE 09P线端公头 C款+12L 网纹POM螺丝	≤50N	Rated voltage	30V	A HOUSING	PA66+GF	SPECIFY COLOR	1
M12A10-07-071	M12防水 A-CODE 10P线端公头 C款+12L 网纹POM螺丝	≥10N	Rated current	1.5A	B CONTACT	BRASS	GOLD PLATED	9~17
M12A11-07-071	M12防水 A-CODE 11P线端公头 C款+12L 网纹POM螺丝	≥500	Insulation resistance	≥1000MΩ	C NUT	POM	BLACK	1
M12A12-07-071	M12防水 A-CODE 12P线端公头 C款+12L 网纹POM螺丝	IP rating	Contract resistance	≤10MΩ	D			
M12A13-07-071	M12防水 A-CODE 13P线端公头 C款+12L 网纹POM螺丝	Flammability	Operation Temperature	-40° C~105° C	E			
M12A14-07-071	M12防水 A-CODE 14P线端公头 C款+12L 网纹POM螺丝							
M12A15-07-071	M12防水 A-CODE 15P线端公头 C款+12L 网纹POM螺丝							
M12A16-07-071	M12防水 A-CODE 16P线端公头 C款+12L 网纹POM螺丝							
M12A17-07-071	M12防水 A-CODE 17P线端公头 C款+12L 网纹POM螺丝							

REV.	REVISION RECORD	DATE	GENERAL TOLERANCES	SCALE:	NAME	DATE	PART.NO:	DWG.NO:
AO	NEW RELEASE	21.11.17	LINEAR	1:1			M12XXX-07-071	ENDE05
			ANGLES	X'REF±6°	APPROVED			
			UNIT:mm	X'±3'	DESIGNER		TITLE:	
			SIZE:A4	X'X'±2'	DRAWN		M12防水 9~17P线端公头 C款+12L 网纹POM螺丝	
								REV: AO
								SHEET: 1/1



Wanlian Technology Co., Ltd