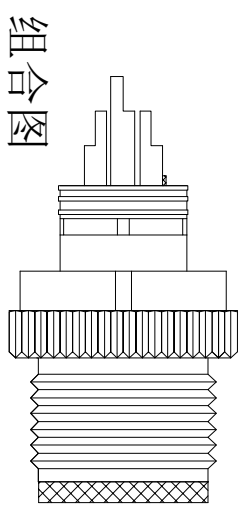
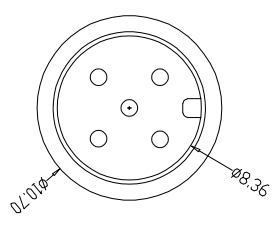
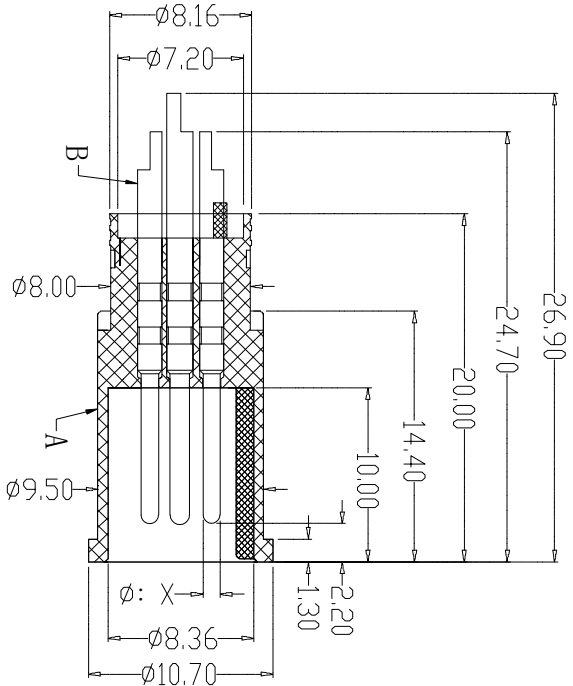
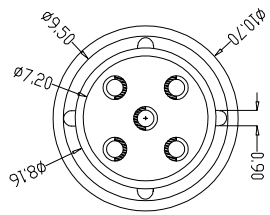


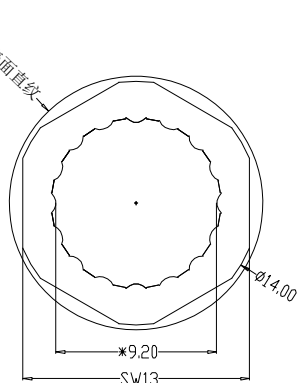
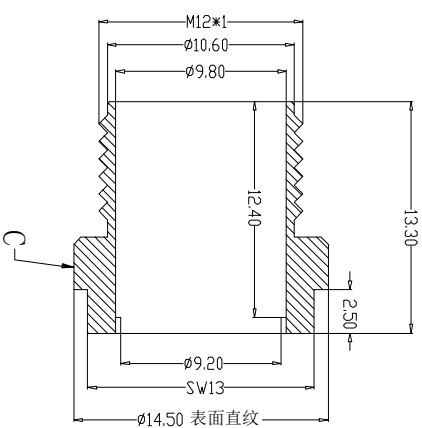
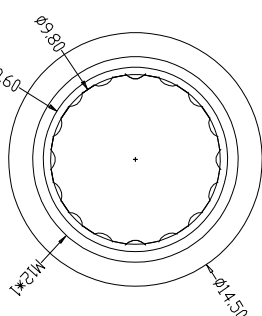
The product using material and processing must conform to the "WL-PZ-001"HSF technical standard control requirements

| PIN位 | 2pin | 3pin | 4pin | 5pin | 6pin | 7pin | 8pin |
|------|------|------|------|------|------|------|------|
| X 值 | 1.00 | 1.00 | 1.00 | 1.00 | 0.80 | 0.80 | 0.80 |

| A-CODE 图形 | | | | | | | |
|-----------|--|--|--|--|--|--|--|
| B-CODE 图形 | | | | | | | |
| D-CODE 图形 | | | | | | | |



组合图



| P/N | TITLE |
|---------------|---------------------------------------|
| M12A02-07-091 | M12防水 A-CODE 2P线端公头 G款+1.3. 3L防震动六角螺丝 |
| M12A03-07-091 | M12防水 A-CODE 3P线端公头 G款+1.3. 3L防震动六角螺丝 |
| M12A04-07-091 | M12防水 A-CODE 4P线端公头 G款+1.3. 3L防震动六角螺丝 |
| M12A05-07-091 | M12防水 A-CODE 5P线端公头 G款+1.3. 3L防震动六角螺丝 |
| M12A06-07-091 | M12防水 A-CODE 6P线端公头 G款+1.3. 3L防震动六角螺丝 |
| M12A07-07-091 | M12防水 A-CODE 7P线端公头 G款+1.3. 3L防震动六角螺丝 |
| M12A08-07-091 | M12防水 A-CODE 8P线端公头 G款+1.3. 3L防震动六角螺丝 |
| M12B02-07-091 | M12防水 B-CODE 2P线端公头 G款+1.3. 3L防震动六角螺丝 |
| M12B03-07-091 | M12防水 B-CODE 3P线端公头 G款+1.3. 3L防震动六角螺丝 |
| M12B04-07-091 | M12防水 B-CODE 4P线端公头 G款+1.3. 3L防震动六角螺丝 |
| M12B05-07-091 | M12防水 B-CODE 5P线端公头 G款+1.3. 3L防震动六角螺丝 |
| M12D02-07-091 | M12防水 D-CODE 2P线端公头 G款+1.3. 3L防震动六角螺丝 |
| M12D03-07-091 | M12防水 D-CODE 3P线端公头 G款+1.3. 3L防震动六角螺丝 |
| M12D04-07-091 | M12防水 D-CODE 4P线端公头 G款+1.3. 3L防震动六角螺丝 |

| | | | | | | | |
|---------------------|-----------|-----------------------|----------------------------|-----------|-----------|--------------|--------|
| Engagement force | ≤50N | Rated voltage | 2-5pin: 60V 6-8pin: 30V | PARTS | MATERIALS | TREATMENT | AMOUNT |
| Disengagement force | ≥5N | Rated current | 2-5pin: 4A 6-8pin: 2A | | | | |
| Mechanical lifespan | ≥500 | Insulation resistance | ≥1000MΩ | B CONTACT | BRASS | GOLD PLATED | 2*8 |
| IP rating | IP67/IP68 | Contract resistance | ≤10MΩ | C NUT | BRASS | NICKL PLATED | 1 |
| Flammability | UL94 V-0 | Operation Temperature | -40° C~105° C | D | | | |

| REV. | REVISION RECORD | DATE | GENERAL TOLERANCES | | SCALE: | NAME | DATE | PART.NO: | DWG.NO: |
|---|-----------------|----------|--------------------|----------|----------|------|------|---------------|---------|
| AO | NEW RELEASE | 21.11.17 | LINEAR | ANGLES | 1:1 | | | M12XXX-07-091 | ENDE05 |
| | | | 0.0±0.35 | X'REF±6° | APPROVED | | | | |
| | | | 0.00±0.25 | X±3' | DESIGNER | | | | |
| | | | UNIT:mm | X'X'±2° | DRAWN | | | | |
| | | | SIZE: A4 | | | | | | |
| | | | 0.000±0.10 | | | | | | |
| TITLE: M12防水 2~8P线端公头 G款+1.3. 3L防震动六角螺丝 | | | | | | | | | |
| REV: AO SHEET: 1/1 | | | | | | | | | |



Wanlian Technology Co., Ltd