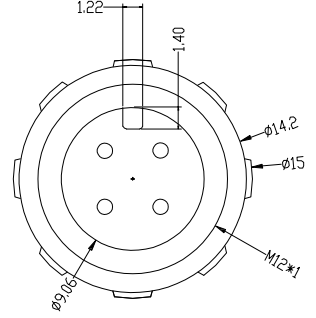
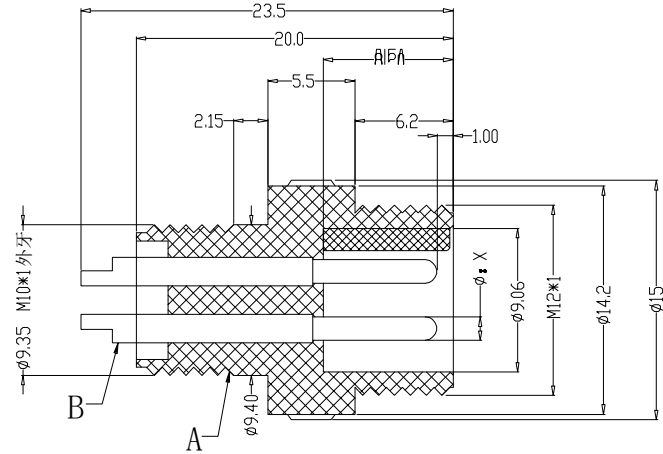
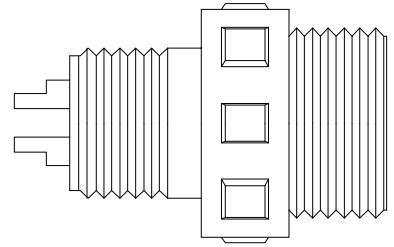
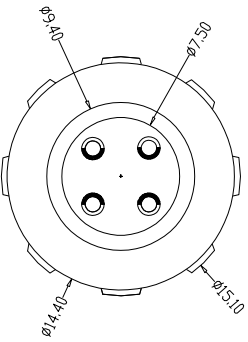


The product using material and processing must conform to the "WL-PZ-001"HSF technical standard control requirements



PIN位	2PIN	3PIN	4PIN	5PIN	6PIN	7PIN	8PIN
X值	1.50	1.00	1.00	1.00	1.00	1.00	1.00
图形							



组合图

P/N	TITLE
M12Y02-07-111	M12防水 Y-CODE 2P线端公头 Z款
M12Y03-07-111	M12防水 Y-CODE 3P线端公头 Z款
M12Y04-07-111	M12防水 Y-CODE 4P线端公头 Z款
M12Y05-07-111	M12防水 Y-CODE 5P线端公头 Z款
M12Y06-07-111	M12防水 Y-CODE 6P线端公头 Z款
M12Y07-07-111	M12防水 Y-CODE 7P线端公头 Z款
M12Y08-07-111	M12防水 Y-CODE 8P线端公头 Z款

Engagemenr firce	$\leq 50N$	Rated volage	2-5pin:60v 6-8PIN:30V
Disengagement force	$\geq 5N$	Rated current	2pin:7.5A 3-8PIN:4A
Mechanical lifespan	$\geq 500$	Insulation resirance	$\geq 1000M\Omega$
IP rating	IP67/IP68	Conract resistangce	$\leq 10M\Omega$
Flammability	UL94 V-0	Operation Temperature	$-40^{\circ}C \sim 105^{\circ}C$

PARTS	MARERIALS	TREATMENT	AMOUNT
A HOUSING	PA66+GF	SPECIFY COLOR	1
B CONTACT	BRASS	GOLD PLATED	2~8

REV.	REVISION RECORD	DATE		GENERAL TOLERANCES		SCALE: 1:1	NAME	DATE	PART.NO: M12XXX-07-111	DWG.NO: ENDE05	 WanLian Technology Co., Ltd
A0	NEW RELEASE	21.11.17		LINEAR	ANGLES						
			UNIT:mm	$0.00 \pm 0.25$	$X' \pm 3'$	DESIGNER			TITLE: M12防水 2~8P线端公头 Y-CODE Z款	REV: A0	SHEET: 1/1
			SIZE: A4	$0.000 \pm 0.10$	$X'X' \pm 2'$	DRAWN					