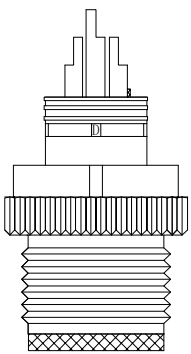
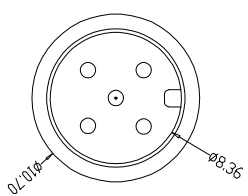
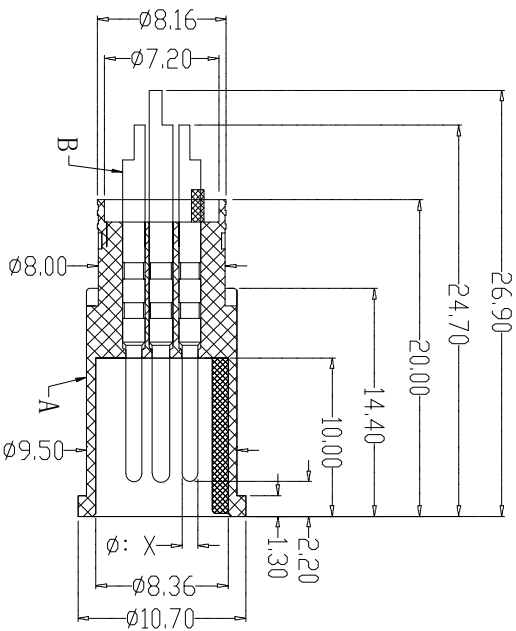
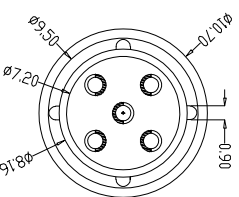
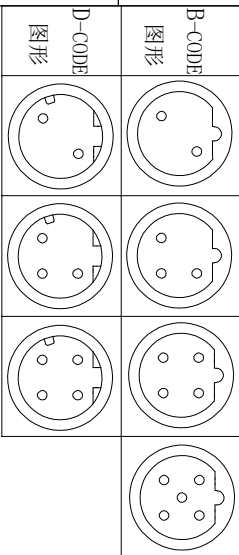
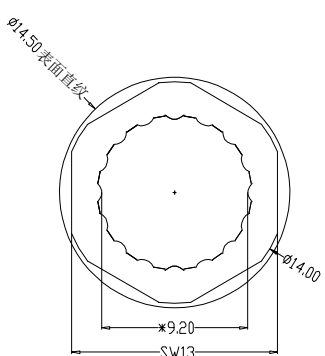
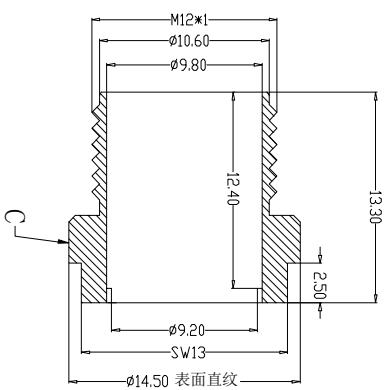
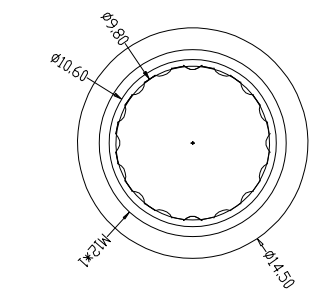


The product using material and processing must conform to the "WL-PZ-001"HSF technical standard control requirements

PIN位	2pin	3pin	4pin	5pin	6pin	7pin	8pin
X 值	1.00	1.00	1.00	1.00	0.80	0.80	0.80
A-CODE 图形							



组合图



P/N TITLE

M12A02-07-118	M12防水 A-CODE 2P线端公头 G款+1.3. 3L防振动六角螺丝
M12A03-07-118	M12防水 A-CODE 3P线端公头 G款+1.3. 3L防振动六角螺丝
M12A04-07-118	M12防水 A-CODE 4P线端公头 G款+1.3. 3L防振动六角螺丝
M12A05-07-118	M12防水 A-CODE 5P线端公头 G款+1.3. 3L防振动六角螺丝
M12A06-07-118	M12防水 A-CODE 6P线端公头 G款+1.3. 3L防振动六角螺丝
M12A07-07-118	M12防水 A-CODE 7P线端公头 G款+1.3. 3L防振动六角螺丝
M12A08-07-118	M12防水 A-CODE 8P线端公头 G款+1.3. 3L防振动六角螺丝
M12B02-07-118	M12防水 B-CODE 2P线端公头 G款+1.3. 3L防振动六角螺丝
M12B03-07-118	M12防水 B-CODE 3P线端公头 G款+1.3. 3L防振动六角螺丝
M12B04-07-118	M12防水 B-CODE 4P线端公头 G款+1.3. 3L防振动六角螺丝
M12B05-07-118	M12防水 B-CODE 5P线端公头 G款+1.3. 3L防振动六角螺丝
M12D02-07-118	M12防水 D-CODE 2P线端公头 G款+1.3. 3L防振动六角螺丝
M12D03-07-118	M12防水 D-CODE 3P线端公头 G款+1.3. 3L防振动六角螺丝
M12D04-07-118	M12防水 D-CODE 4P线端公头 G款+1.3. 3L防振动六角螺丝

Engagement force	≤50N	Rated voltage	2-5pin: 60V 6-8pin: 30V	PARTS	MATERIALS	TREATMENT	AMOUNT					
Disengagement force	≥5N	Rated current	2-5pin: 4A 6-8pin: 2A					A	HOUSING	PA66+GF	SPECIFY COLOR	1
Mechanical lifespan	≥500	Insulation resistance	≥1000MΩ					B	CONTACT	BRASS	GOLD PLATED	2*8
IP rating	IP67/IP68	Contract resistance	≤10MΩ	C	NUT	BRASS	NICKL. PLATED	1				
Flammability	UL94 V-0	Operation Temperature	-40° C~105° C	D								
				E								

REV.	REVISION RECORD	DATE	GENERAL TOLERANCES		SCALE:	NAME	DATE	PART. NO.:	DWG. NO.:
AO	NEW RELEASE	21.11.17	LINEAR	ANGLES	1:1			M12XXX-07-118	ENDE05

UNIT: mm	0.00±0.25	X'±3'	DESIGNER		TITLE: M12防水 2~8P线端公头 G款+1.3. 3L防振动六角螺丝	REV: AO	SHEET: 1/1
SIZE: A4	0.000±0.10	X'X' ±2'	DRAWN				



Wanlian Technology Co., Ltd

RoHS