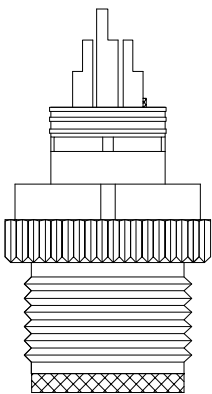
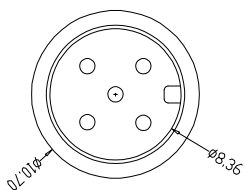
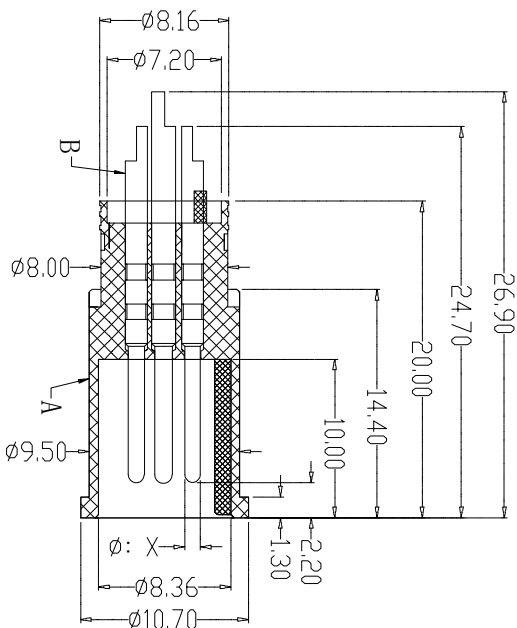
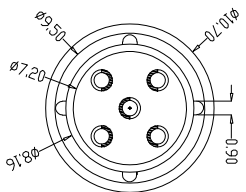
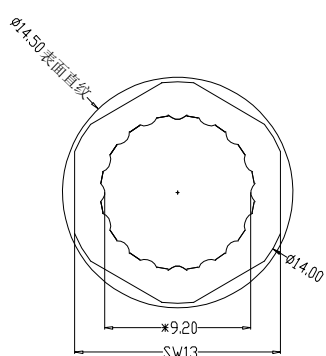
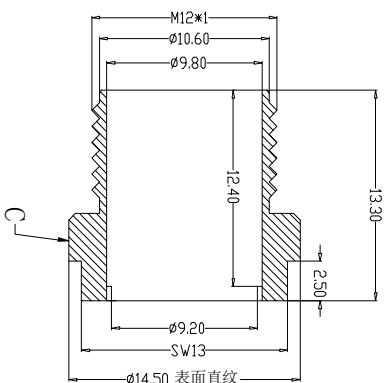
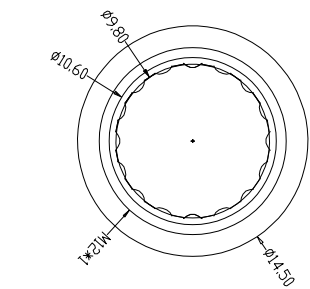


The product using material and processing must conform to the "WL-PZ-001"HSF technical standard control requirements

PIN位	2pin	3pin	4pin	5pin	6pin	7pin	8pin
X值	1.00	1.00	1.00	1.00	0.80	0.80	0.80
ACCODE							
B-CODE							
D-CODE							



组合图



P/N	TITLE	Engagement force	Rated voltage	2-5pin: 60V 6-8pin: 30V	PARTS	MATERIALS	TREATMENT	AMOUNT
M12A02-07-120	M12防水 A-CODE 2P线端公头 G款+1.3. 3L防震动六角螺丝	$\leq 50N$	Rated voltage	2-5pin: 60V 6-8pin: 30V	A	PA66+GF	SPECIFY COLOR	1
M12A03-07-120	M12防水 A-CODE 3P线端公头 G款+1.3. 3L防震动六角螺丝	$\geq 5N$	Rated current	6-8pin: 4A	B	BRASS	GOLD PLATED	2*8
M12A04-07-120	M12防水 A-CODE 4P线端公头 G款+1.3. 3L防震动六角螺丝	$\geq 500$	Insulation resistance	6-8pin: 2A	C	BRASS	NICKL. PLATED	1
M12A05-07-120	M12防水 A-CODE 5P线端公头 G款+1.3. 3L防震动六角螺丝		Contract resistance	$\geq 1000M\Omega$	D			
M12A06-07-120	M12防水 A-CODE 6P线端公头 G款+1.3. 3L防震动六角螺丝		Operation Temperature	$\leq 10M\Omega$	E			
M12A07-07-120	M12防水 A-CODE 7P线端公头 G款+1.3. 3L防震动六角螺丝							
M12A08-07-120	M12防水 A-CODE 8P线端公头 G款+1.3. 3L防震动六角螺丝							
M12B02-07-120	M12防水 B-CODE 2P线端公头 G款+1.3. 3L防震动六角螺丝							
M12B03-07-120	M12防水 B-CODE 3P线端公头 G款+1.3. 3L防震动六角螺丝							
M12B04-07-120	M12防水 B-CODE 4P线端公头 G款+1.3. 3L防震动六角螺丝							
M12B05-07-120	M12防水 B-CODE 5P线端公头 G款+1.3. 3L防震动六角螺丝							
M12D02-07-120	M12防水 D-CODE 2P线端公头 G款+1.3. 3L防震动六角螺丝							
M12D03-07-120	M12防水 D-CODE 3P线端公头 G款+1.3. 3L防震动六角螺丝							
M12D04-07-120	M12防水 D-CODE 4P线端公头 G款+1.3. 3L防震动六角螺丝							

REV.	REVISION RECORD	DATE	GENERAL TOLERANCES	SCALE:	NAME	DATE	PART. NO.:	DWG. NO.:
AO	NEW RELEASE	21.11.17	LINEAR	1:1			M12XXX-07-120	ENDE05

REV.	REVISION RECORD	DATE	GENERAL TOLERANCES	SCALE:	NAME	DATE	PART. NO.:	DWG. NO.:
AO	NEW RELEASE	21.11.17	LINEAR	1:1			M12XXX-07-120	ENDE05
			ANGLES	X*REF $\pm 6^\circ$	APPROVED			
			UNIT: mm	X* $\pm 3$	DESIGNER			
			SIZE: A4	X*X' $\pm 2$	DRAWN			
							TITLE:	
							M12防水 2~8P线端公头 G款+1.3. 3L防震动六角螺丝	
								REV: AO
								SHEET: 1/1

