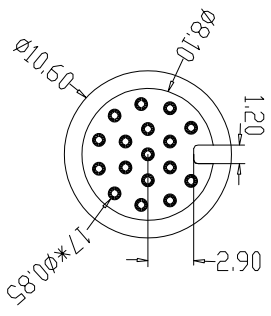
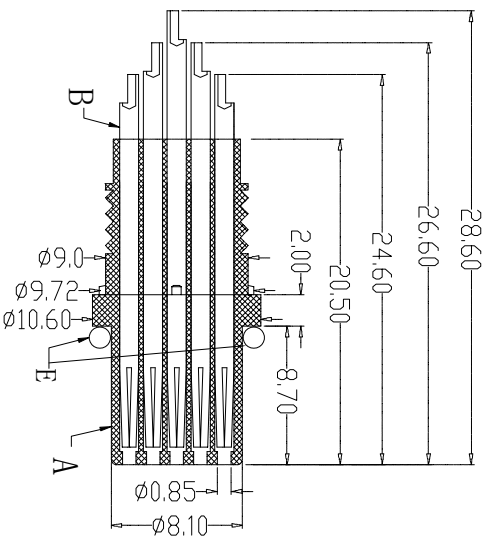
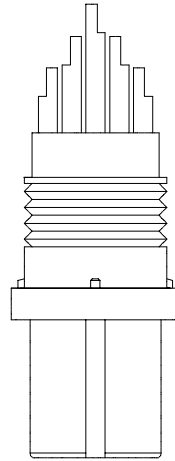
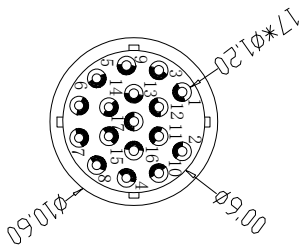
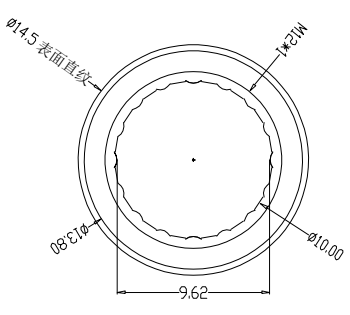
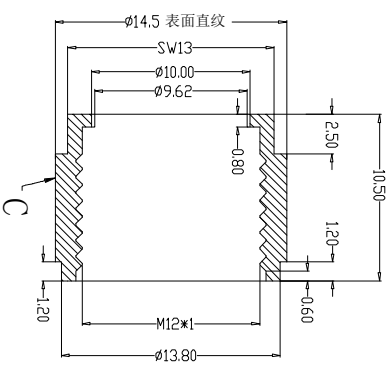
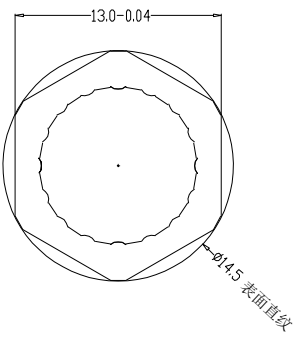
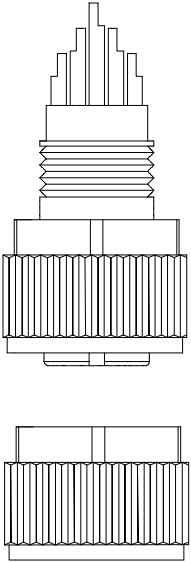


The product using material and processing must conform to the "WL-PZ-001"HSF technical standard control requirements

9pin	10pin	11pin	12pin	13pin	14pin	15pin	16pin	17pin
------	-------	-------	-------	-------	-------	-------	-------	-------



组合图



P/N	TITLE
-----	-------

M12A09-08-084	M12防水 A-CODE 9P 线端母头B款+10.5L网纹POM螺母
M12A10-08-084	M12防水 A-CODE 10P 线端母头B款+10.5L网纹POM螺母
M12A11-08-084	M12防水 A-CODE 11P 线端母头B款+10.5L网纹POM螺母
M12A12-08-084	M12防水 A-CODE 12P 线端母头B款+10.5L网纹POM螺母
M12A13-08-084	M12防水 A-CODE 13P 线端母头B款+10.5L网纹POM螺母
M12A14-08-084	M12防水 A-CODE 14P 线端母头B款+10.5L网纹POM螺母
M12A15-08-084	M12防水 A-CODE 15P 线端母头B款+10.5L网纹POM螺母
M12A16-08-084	M12防水 A-CODE 16P 线端母头B款+10.5L网纹POM螺母
M12A17-08-084	M12防水 A-CODE 17P 线端母头B款+10.5L网纹POM螺母

Engagement force	≤50N	Rated voltage	30V	PARTS	MATERIALS	TREATMENT	AMOUNT
Disengagement force	≥10N	Rated current	1.5A	A HOUSING	PA66+GF	SPECIFY COLOR	1
Mechanical lifespan	≥500	Insulation resistance	≥1000MΩ	B CONTACT	BRASS	GOLD PLATED	9*17
IP rating	IP67/IP68	Contract resistance	≤10MΩ	C OUTER CONTACT	BRASS	NICKL. PLATED	1
Flammability	UL94 V-0	Operation Temperature	-40° C~105° C	D NUT	BRASS	NICKL. PLATED	1
				E O-RING	EPDM	NICKL. PLATED	2

REV.	REVISION RECORD	DATE	GENERAL TOLERANCES		SCALE:	NAME	DATE	PART.NO:	DWG.NO:	<p>Wanlian Technology Co., Ltd</p>
AO	NEW RELEASE	21.11.17	LINEAR	ANGLES	1:1			M12XXX-08-084	ENDE05	
			0.0±0.35	X'REF±6°	APPROVED					REV: AO
			UNIT:mm	X'±3'	DESIGNER			TITLE:		SHEET: 1/1
			SIZE:A4	X'X'±2°	DRAWN			M12防水 9~17P线端母头B款+10.5L网纹POM螺母		