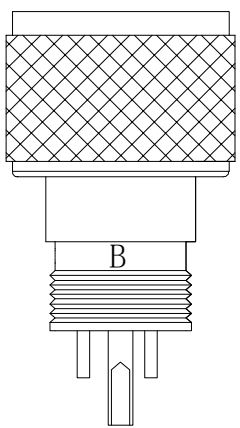
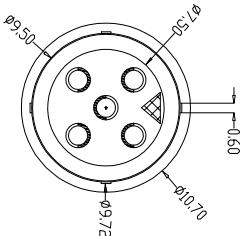
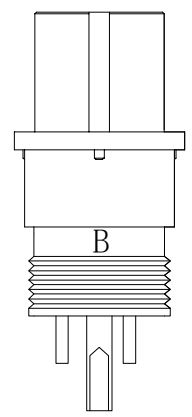
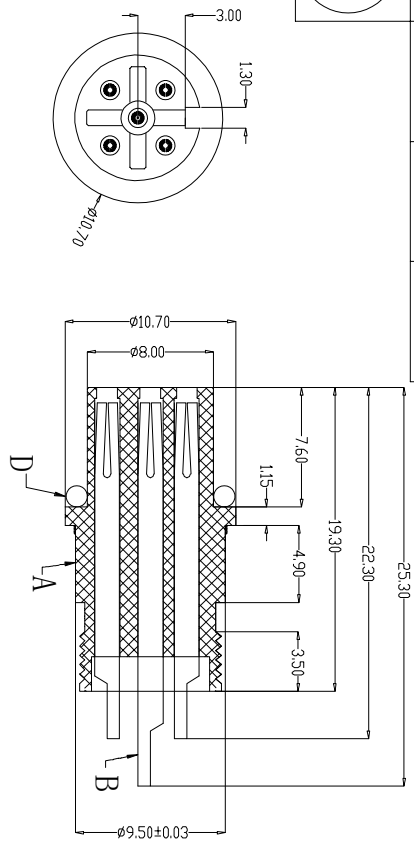


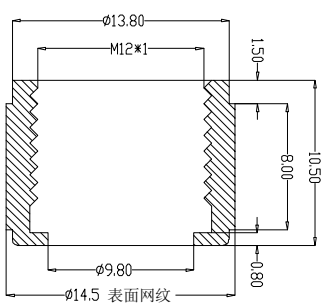
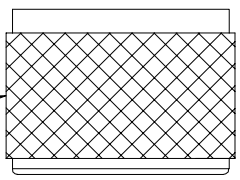
The product using material and processing must conform to the "WL-PZ-001"HSF technical standard control requirements



pin位	2pin	3pin/4芯3	4pin	5pin:方形	6pin	7pin	8pin
A-CODE 图形							
B-CODE 图形							
D-CODE 图形							



组合图



P/N	TITLE	Engagement force	Rated voltage	2-5pin: 60V 6-8pin: 30V	PARTS	MATERIALS	TREATMENT	AMOUNT
M12A02-08-085	M12防水 A-CODE 2P线端母头 B款10.5L网纹螺母	≤50N	Rated voltage	2-5pin: 60V 6-8pin: 30V	A	PA66+GF	SPECIFY COLOR	1
M12A03-08-085	M12防水 A-CODE 3P线端母头 B款10.5L网纹螺母	≥5N	Rated current	2-5pin: 4A 6-8pin: 2A	B	BRASS	GOLD PLATED	2*8
M12A04-08-085	M12防水 A-CODE 4P线端母头 B款10.5L网纹螺母	≥500	Insulation resistance	≥1000MΩ	C	BRASS	NICKL PLATED	1
M12A05-08-085	M12防水 A-CODE 5P线端母头 B款10.5L网纹螺母	IP67/IP68	Contract resistance	≤10MΩ	D	BRASS	NICKL PLATED	1
M12A06-08-085	M12防水 A-CODE 6P线端母头 B款10.5L网纹螺母	Flammability	Operation Temperature	-40° C~105° C	E	EPDM	BLACK	1
M12A07-08-085	M12防水 A-CODE 7P线端母头 B款10.5L网纹螺母							
M12A08-08-085	M12防水 A-CODE 8P线端母头 B款10.5L网纹螺母							
M12B02-08-085	M12防水 B-CODE 2P线端母头 B款10.5L网纹螺母							
M12B03-08-085	M12防水 B-CODE 3P线端母头 B款10.5L网纹螺母							
M12B04-08-085	M12防水 B-CODE 4P线端母头 B款10.5L网纹螺母							
M12B05-08-085	M12防水 B-CODE 5P线端母头 B款10.5L网纹螺母							
M12D02-08-085	M12防水 D-CODE 2P线端母头 B款10.5L网纹螺母							
M12D03-08-085	M12防水 D-CODE 3P线端母头 B款10.5L网纹螺母							
M12D04-08-085	M12防水 D-CODE 4P线端母头 B款10.5L网纹螺母							

REV.	REVISION RECORD	DATE	GENERAL TOLERANCES		SCALE:	NAME	DATE	PART.NO.:	DWG.NO.:	 Wanlian Technology Co., Ltd
AO	NEW RELEASE	21.11.17	LINEAR	ANGLES	1:1			M12XXX-08-085	ENDE05	
			0.0±0.35	X'REF±6°	APPROVED					REV: AO
			0.00±0.25	X'±3'	DESIGNER			TITLE:		SHEET: 1/1
			SIZE: A4	X'X' ±2'	DRAWN			M12防水 2~8P线端母头 B款10.5L网纹螺母		